



US007552625B2

(12) **United States Patent**
Degertekin

(10) **Patent No.:** **US 7,552,625 B2**
(45) **Date of Patent:** **Jun. 30, 2009**

(54) **FORCE SENSING INTEGRATED READOUT AND ACTIVE TIP BASED PROBE MICROSCOPE SYSTEMS**

5,245,863	A *	9/1993	Kajimura et al.	73/105
5,260,567	A *	11/1993	Kuroda et al.	250/227.19
5,465,611	A *	11/1995	Ruf et al.	73/104
5,689,107	A *	11/1997	Hsu	250/231.1
5,908,981	A *	6/1999	Atalar et al.	73/105
6,310,990	B1 *	10/2001	Putnam et al.	385/12
6,567,572	B2 *	5/2003	Degertekin et al.	385/12
2004/0130728	A1	7/2004	Degertekin et al.	

(75) Inventor: **Fahrettin Levent Degertekin**, Decatur, GA (US)

(73) Assignee: **Georgia Tech Research Corporation**, Atlanta, GA (US)

(*) Notice: Subject to any disclaimer, the term of this patent is extended or adjusted under 35 U.S.C. 154(b) by 249 days.

(21) Appl. No.: **11/398,650**

(22) Filed: **Apr. 6, 2006**

(65) **Prior Publication Data**

US 2006/0283338 A1 Dec. 21, 2006

Related U.S. Application Data

(63) Continuation-in-part of application No. 11/260,238, filed on Oct. 28, 2005.

(60) Provisional application No. 60/691,972, filed on Jun. 17, 2005, provisional application No. 60/707,219, filed on Aug. 11, 2005, provisional application No. 60/722,397, filed on Oct. 3, 2005.

(51) **Int. Cl.**

G01B 5/28 (2006.01)
G01N 13/16 (2006.01)

(52) **U.S. Cl.** **73/105**

(58) **Field of Classification Search** **73/105;**
250/306, 307

See application file for complete search history.

(56) **References Cited**

U.S. PATENT DOCUMENTS

5,231,286 A * 7/1993 Kajimura et al. 250/234

OTHER PUBLICATIONS

- U.S. Appl. No. 11/352,535, filed Feb. 13, 2006.
- U.S. Appl. No. 11/405,051, filed Apr. 17, 2006.
- U.S. Appl. No. 11/297,097, filed Dec. 8, 2005.
- U.S. Appl. No. 11/260,238, filed Oct. 28, 2005.
- U.S. Appl. No. 11/476,625, filed Jun. 29, 2006.
- U.S. Appl. No. 11/548,005, filed Oct. 10, 2006.
- U.S. Appl. No. 11/548,531, filed Oct. 11, 2006.
- U.S. Appl. No. 11/552,274, filed Oct. 24, 2006.

* cited by examiner

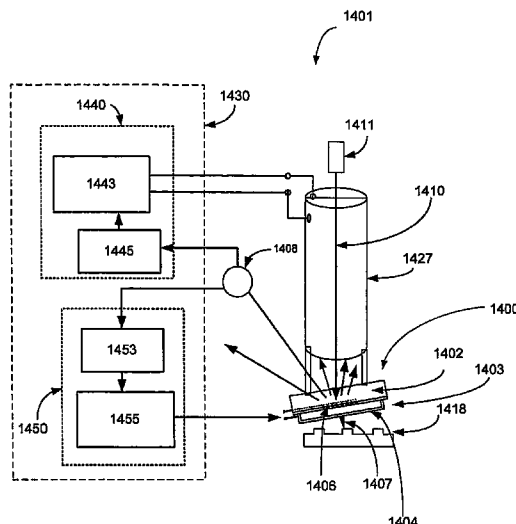
Primary Examiner—Daniel S Larkin

(74) *Attorney, Agent, or Firm*—Bryan W. Bockhop; Bockhop & Associates, LLC

(57) **ABSTRACT**

In accordance with an embodiment of the invention, there is a force sensor for a probe based instrument. The force sensor can comprise a detection surface and a flexible mechanical structure disposed a first distance above the detection surface so as to form a gap between the flexible mechanical structure and the detection surface, wherein the flexible mechanical structure is configured to deflect upon exposure to an external force, thereby changing the first distance.

9 Claims, 44 Drawing Sheets



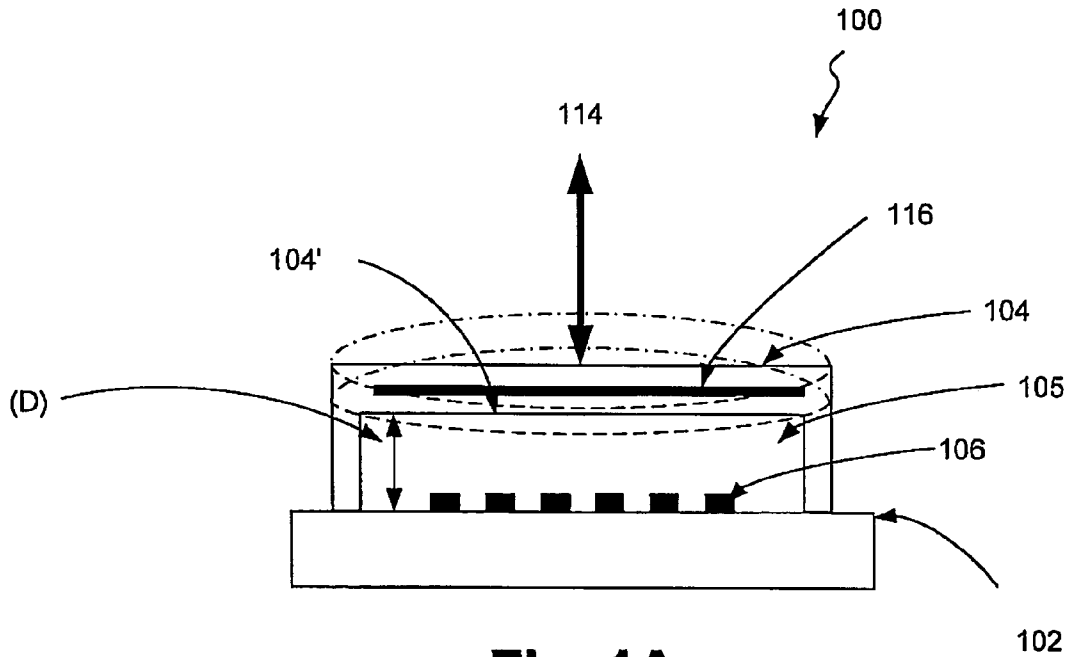


Fig. 1A

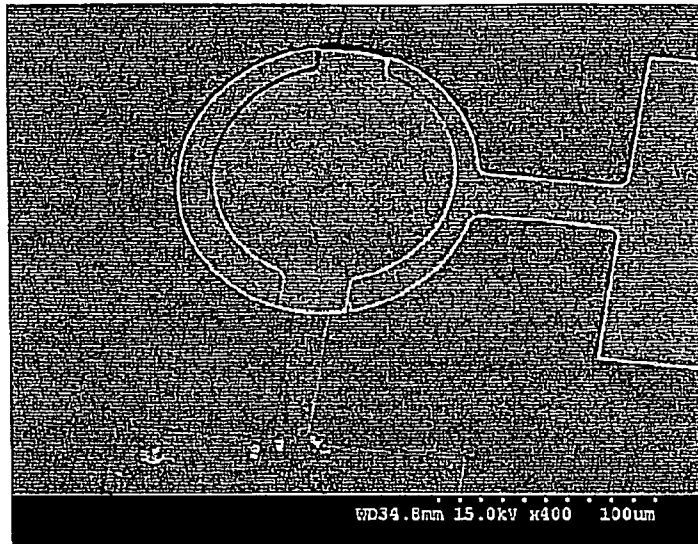


Fig. 1B

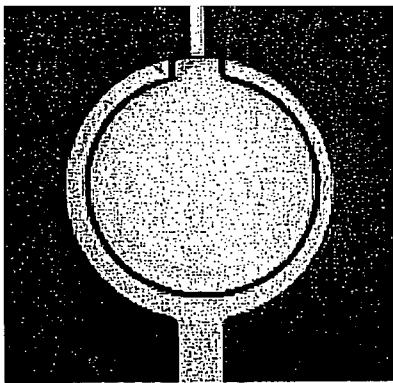


Fig. 1C

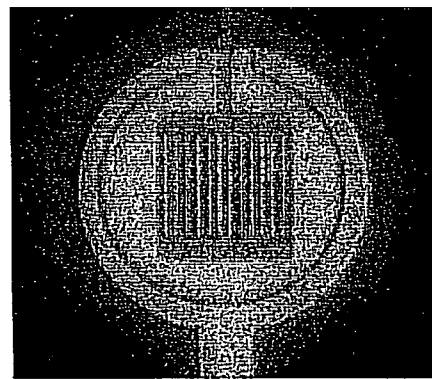


Fig. 1D

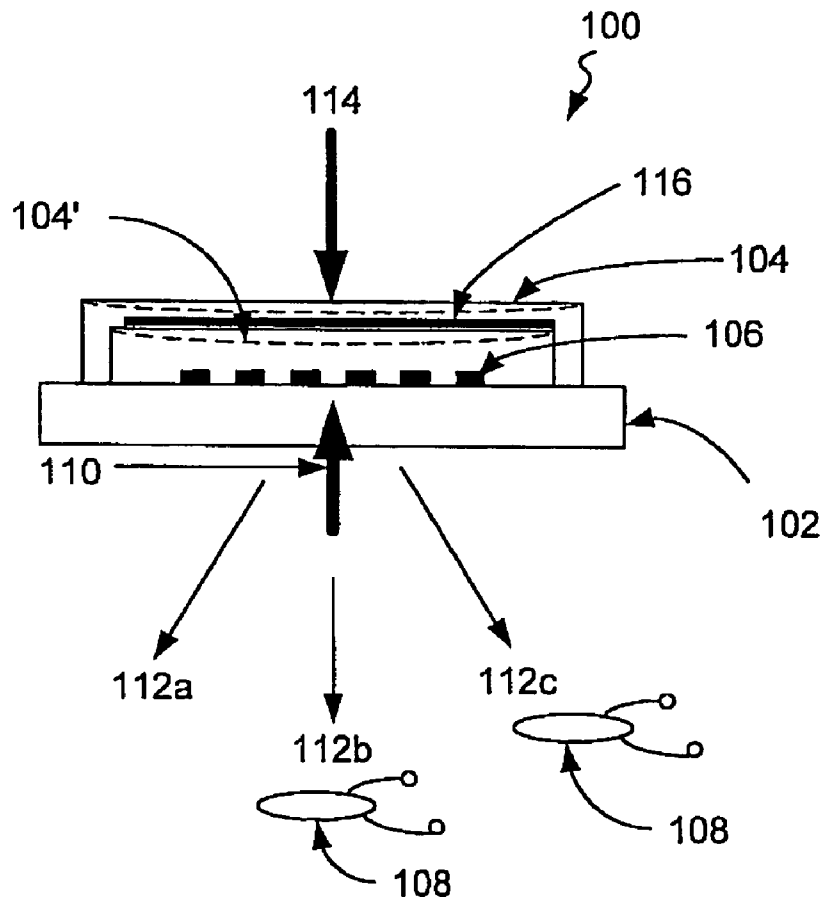


Fig. 1E

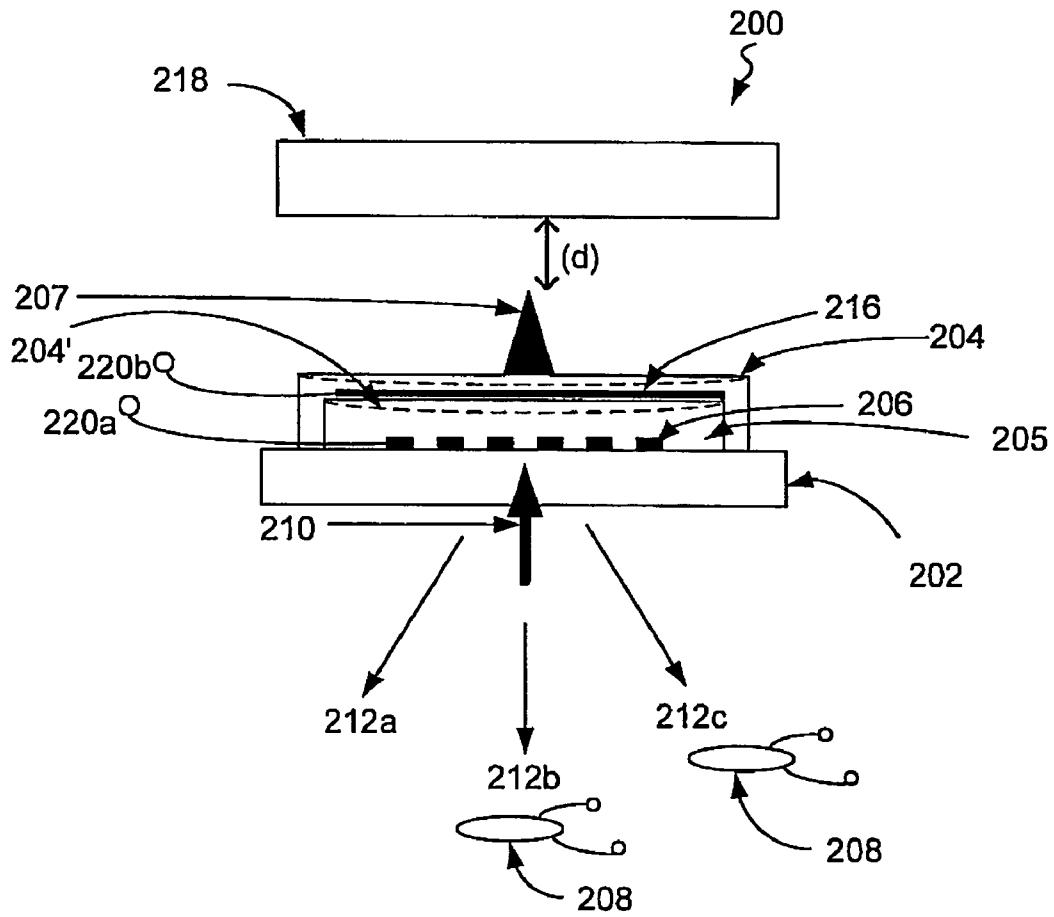


Fig. 2A

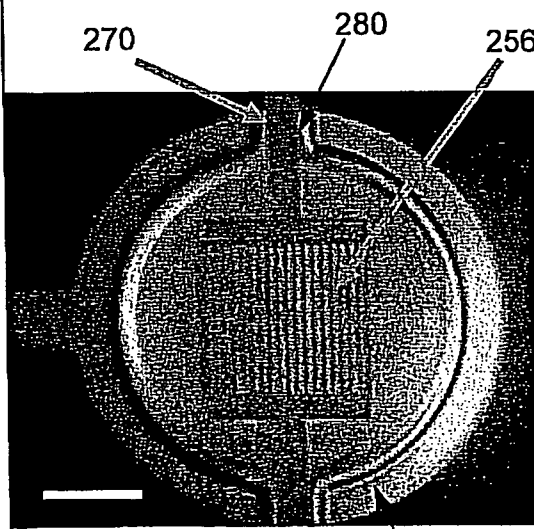
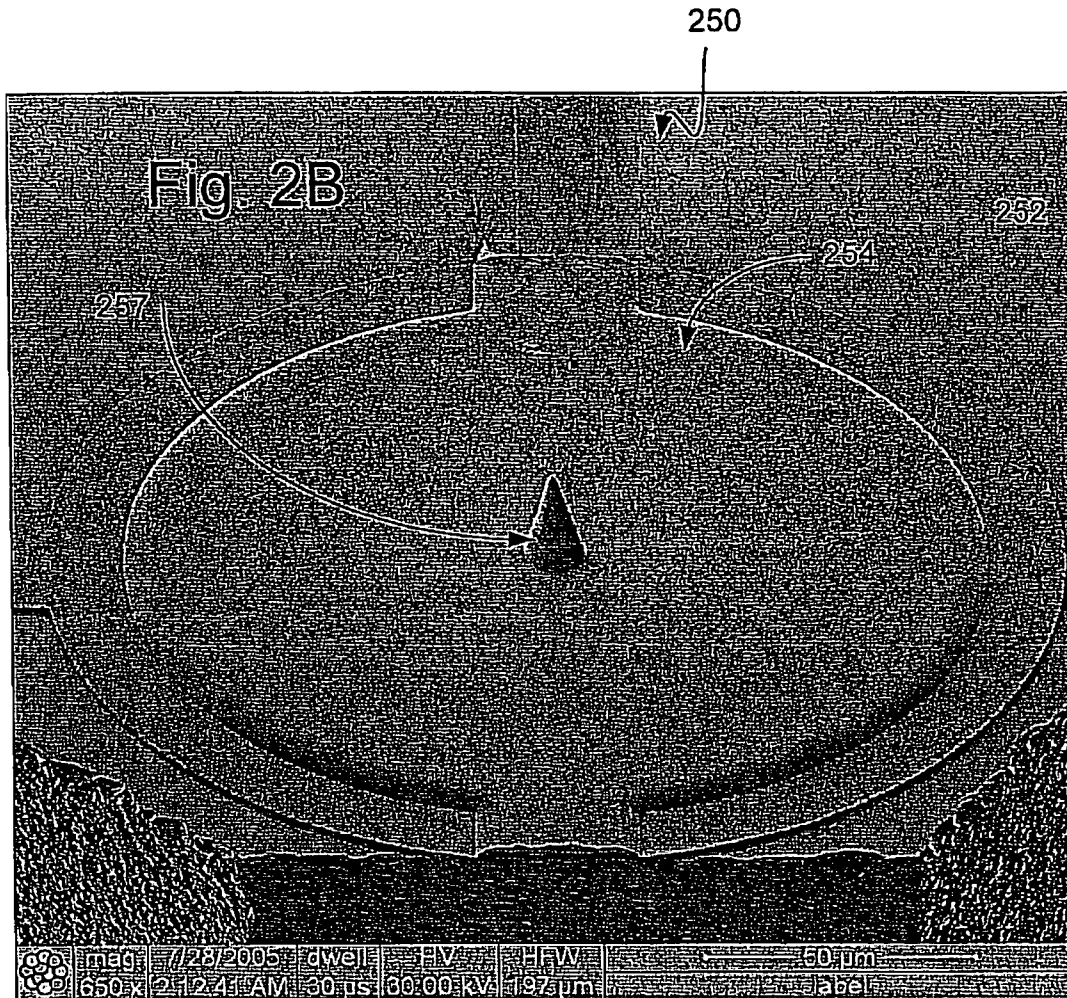


Fig. 2C

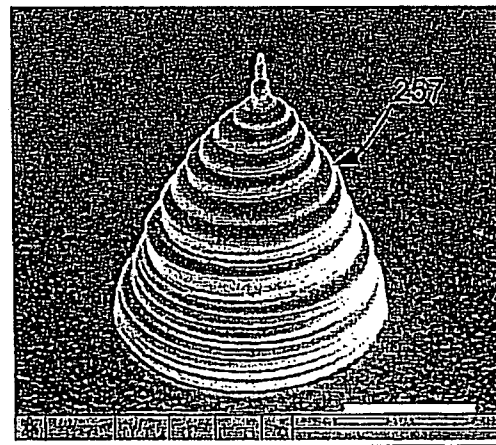


Fig. 2D

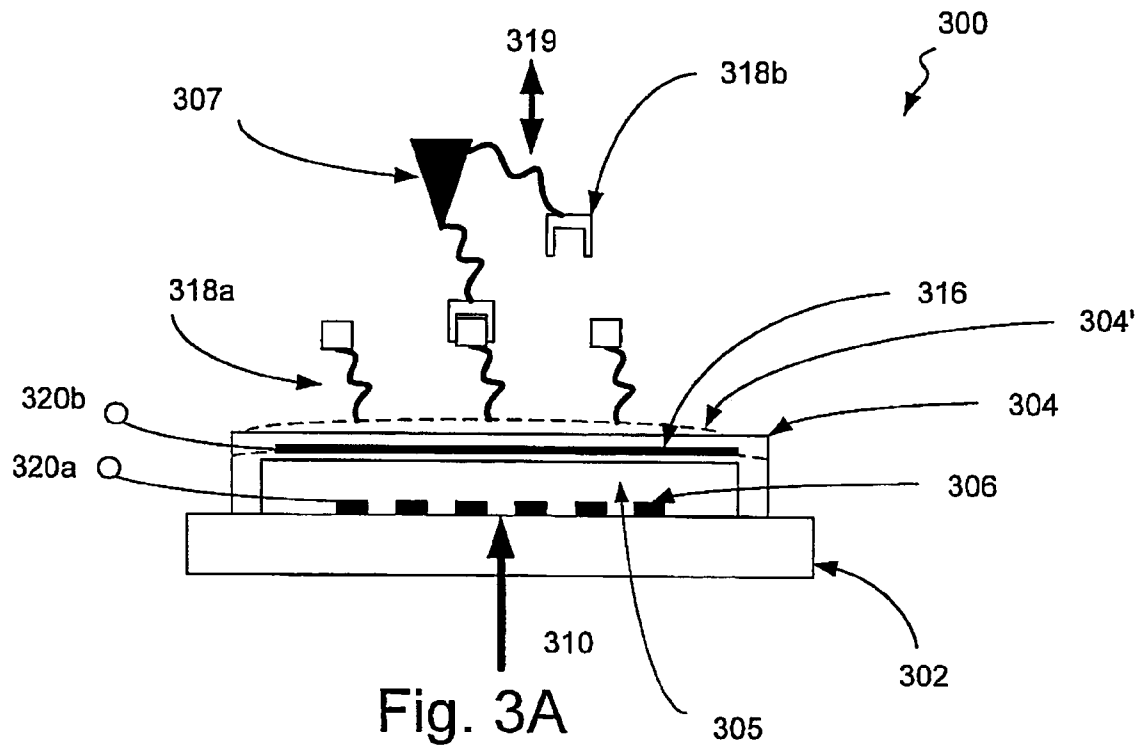


Fig. 3A

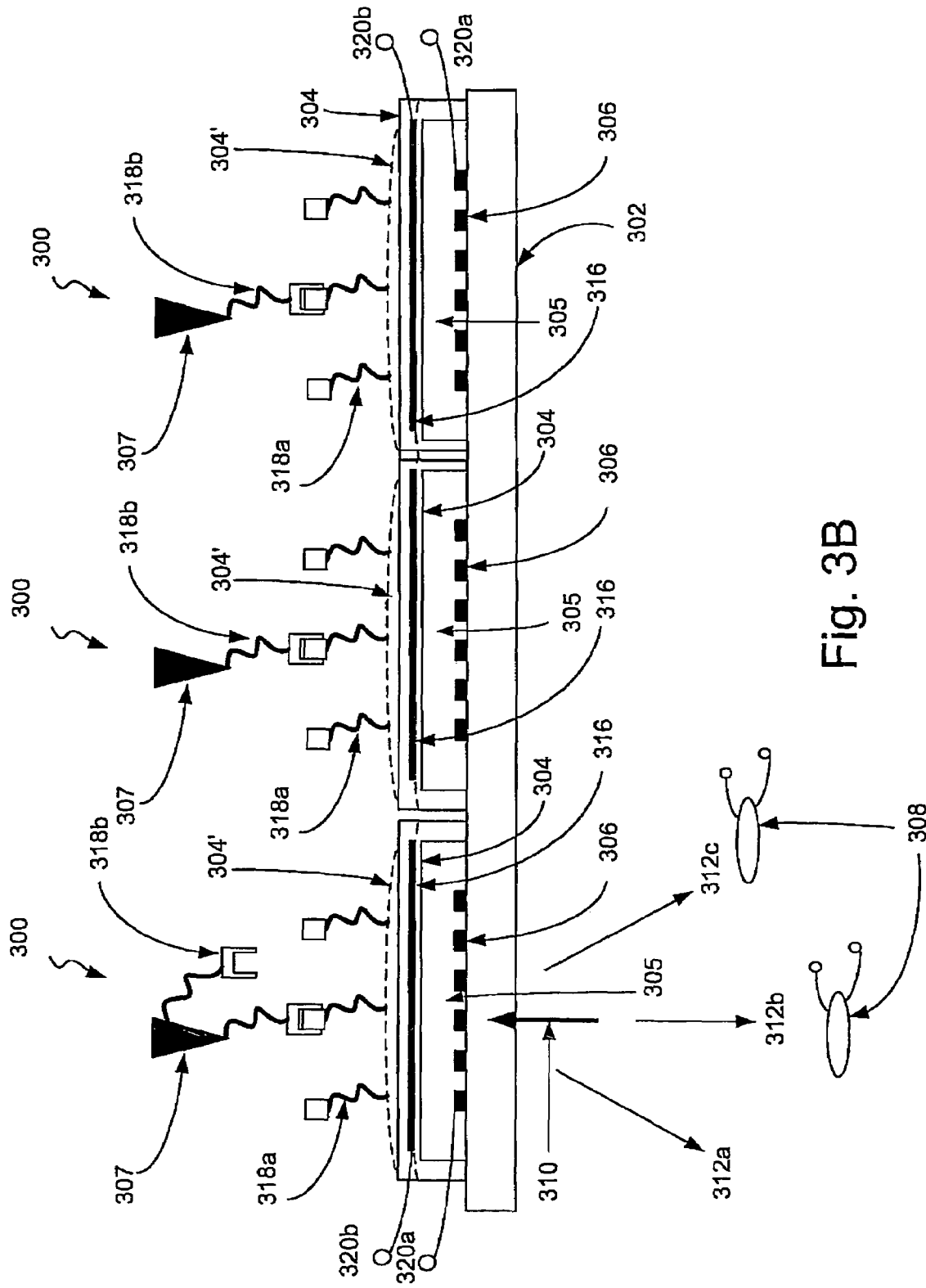


Fig. 3B

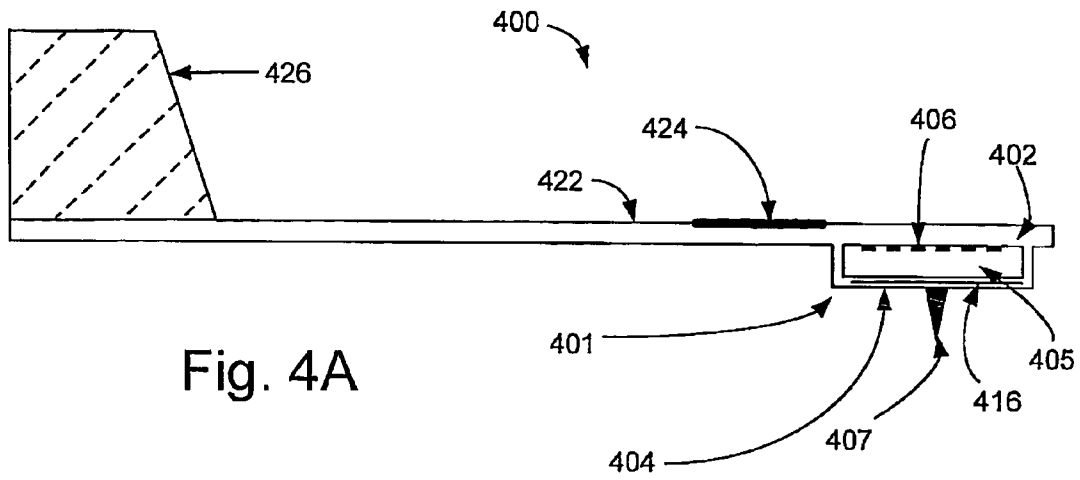


Fig. 4A

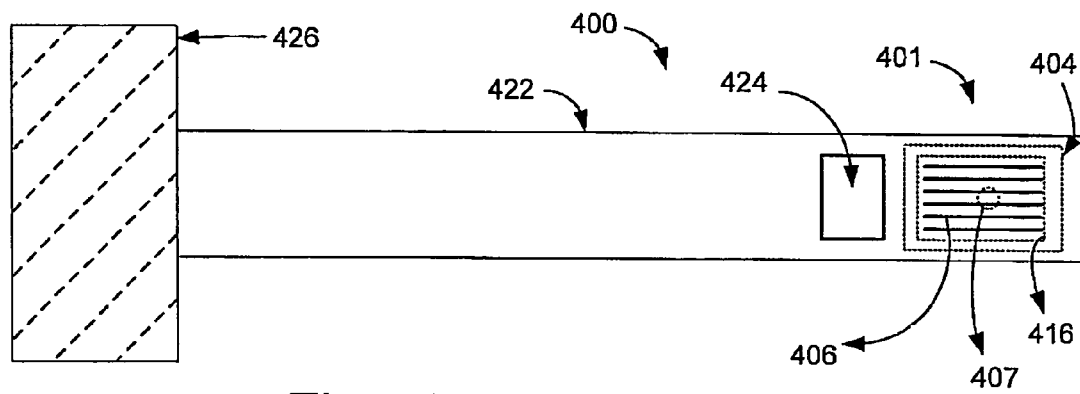


Fig. 4B

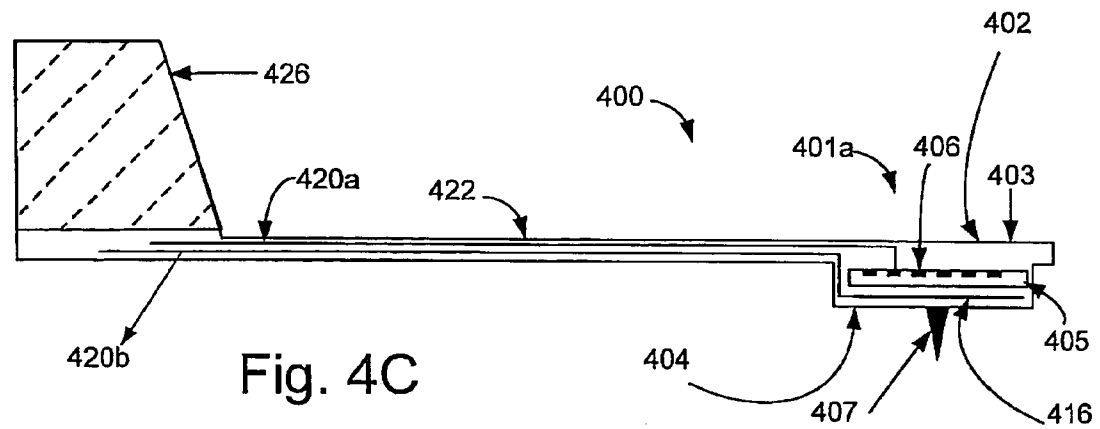
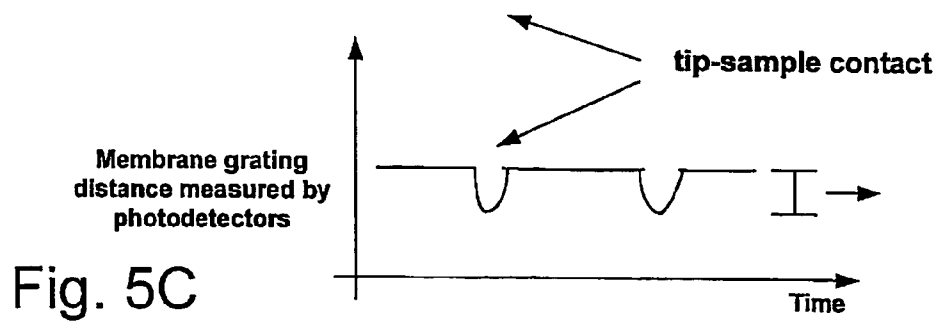
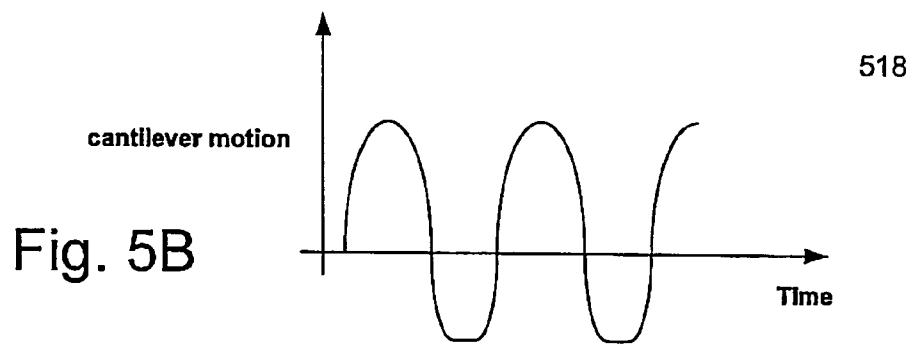
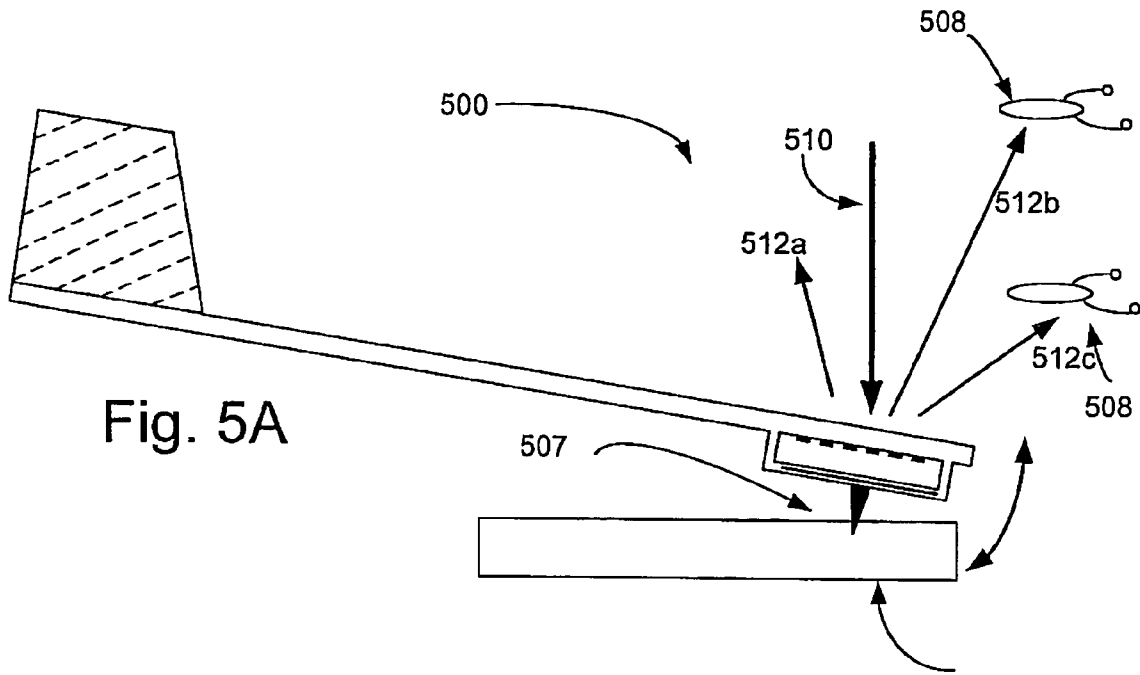


Fig. 4C



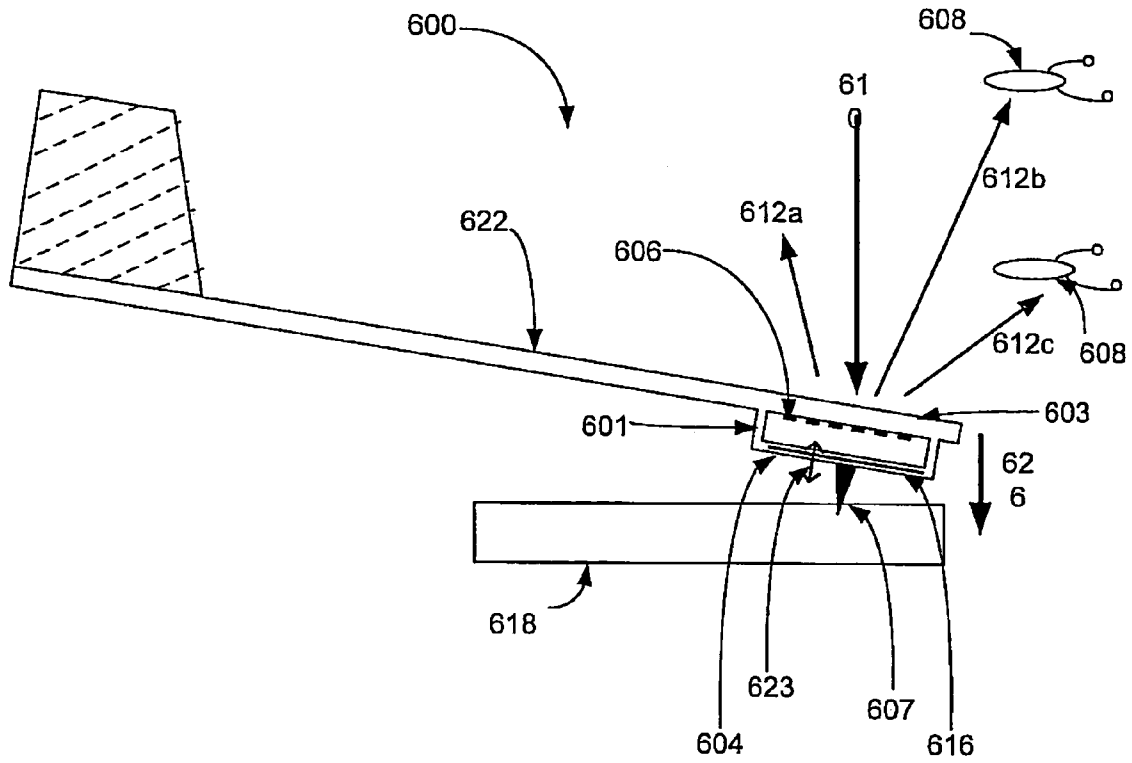


Fig. 6

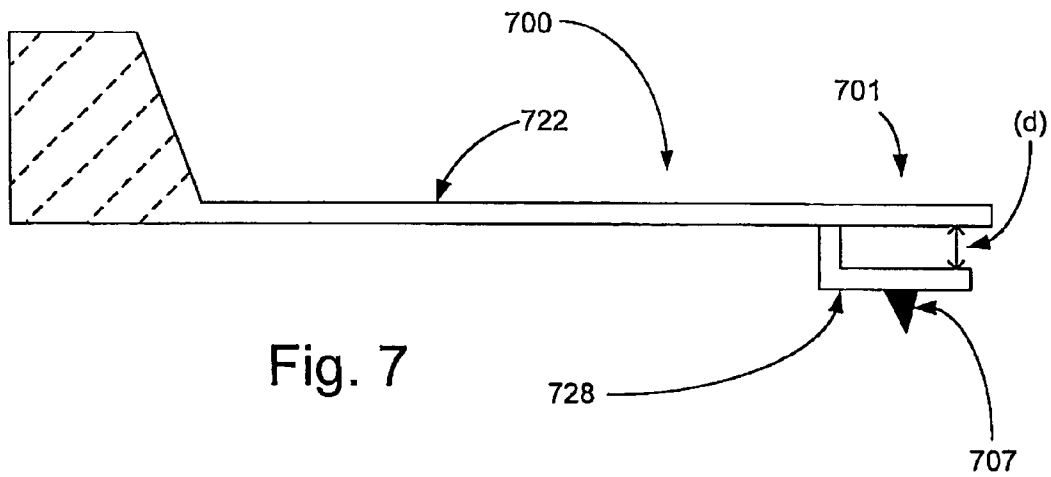


Fig. 7

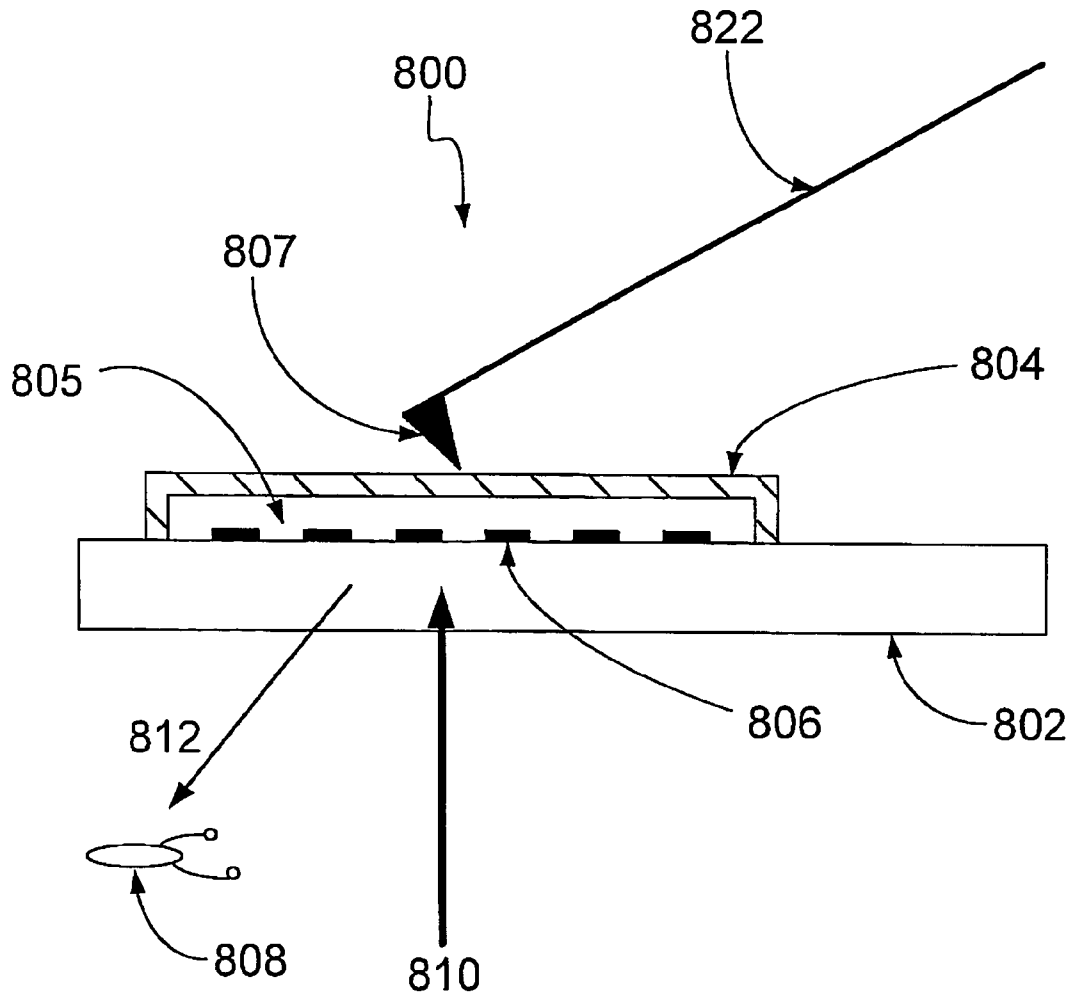


Fig. 8A

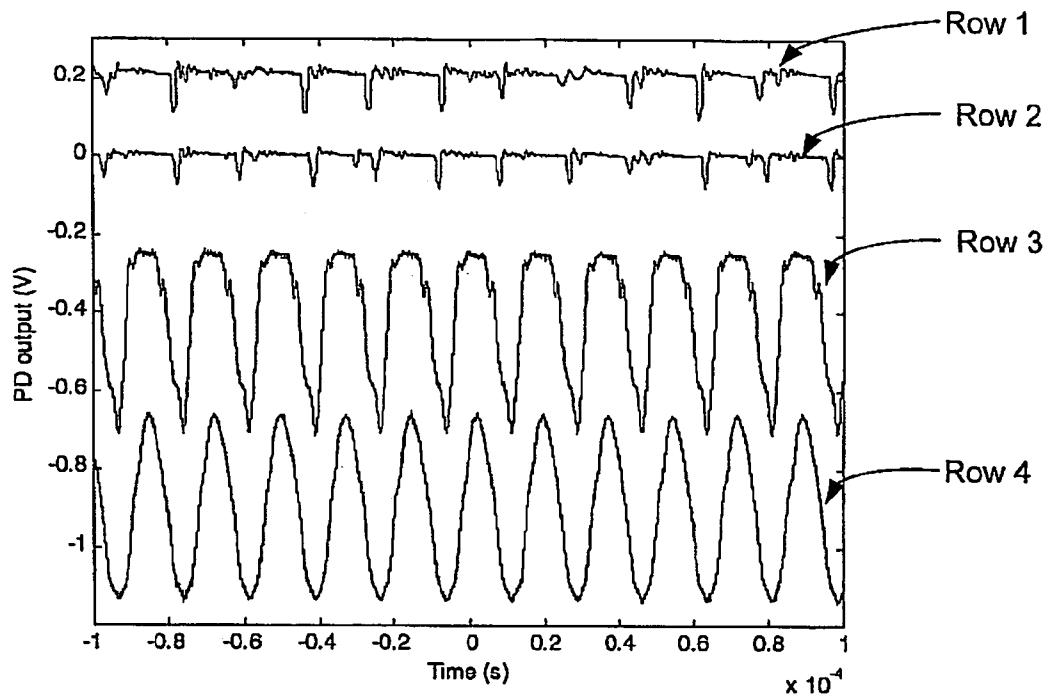


Fig. 8B

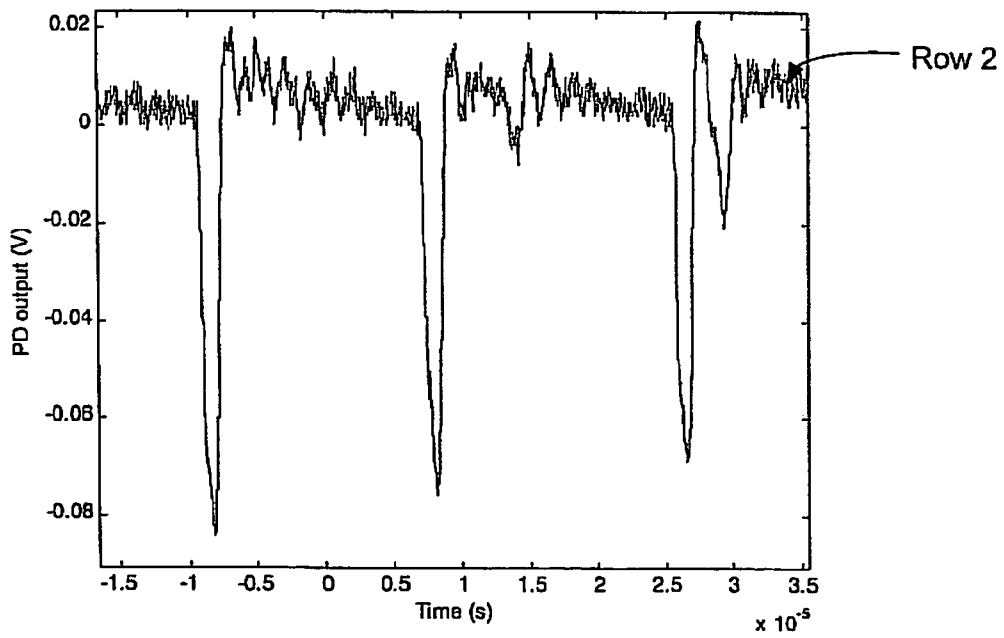


Fig. 8C

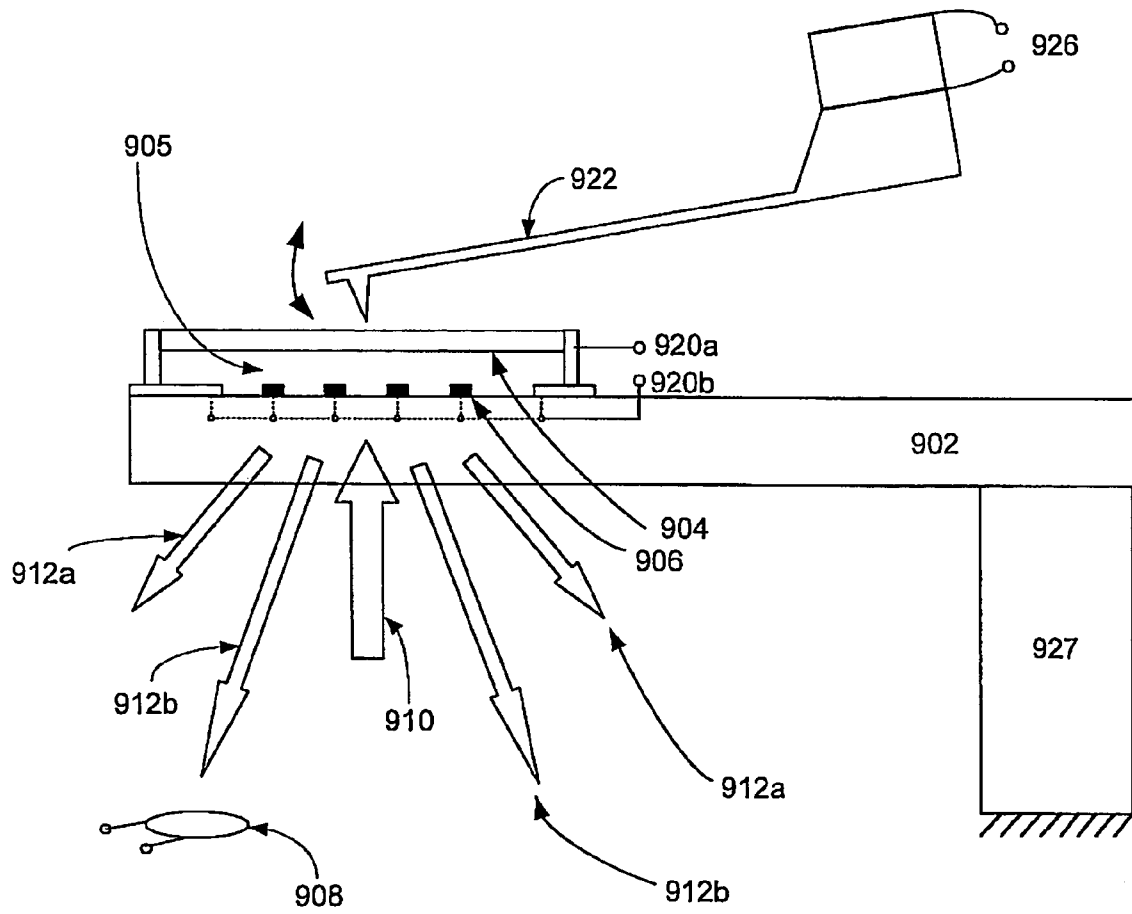


Fig. 9A

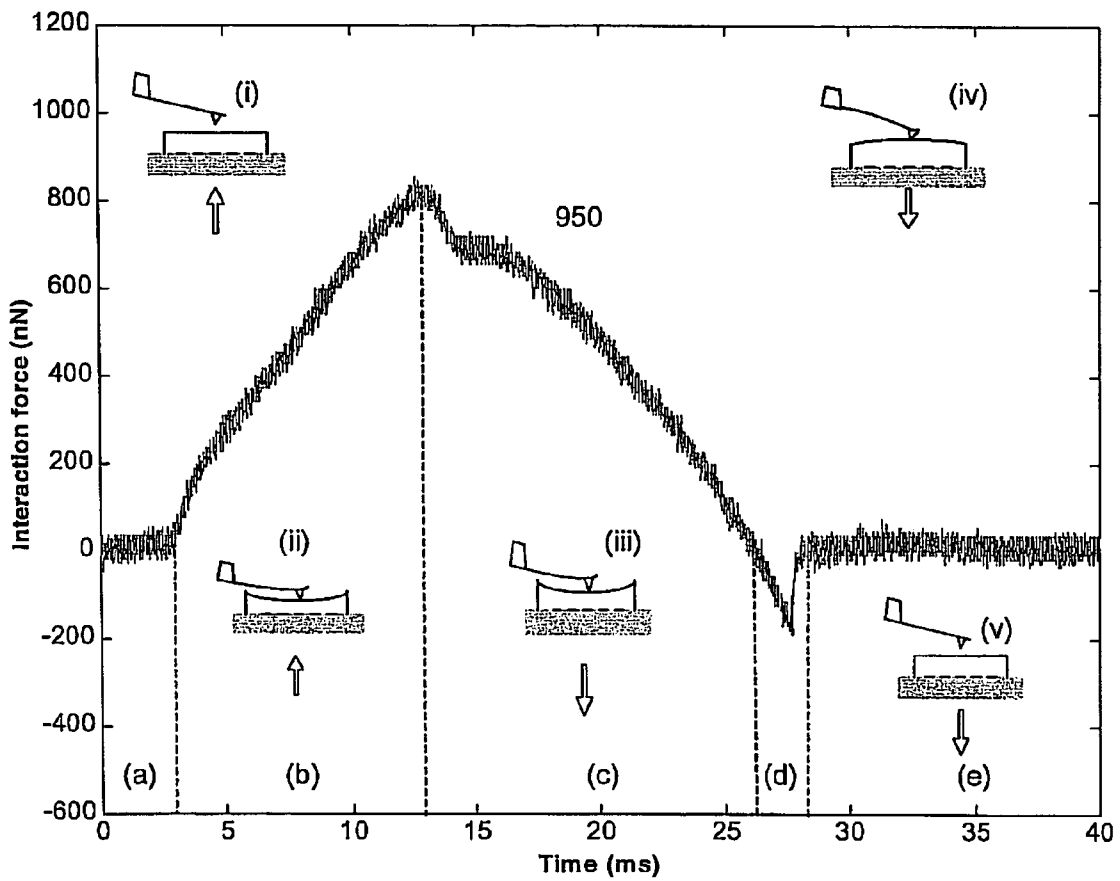


Fig. 9B

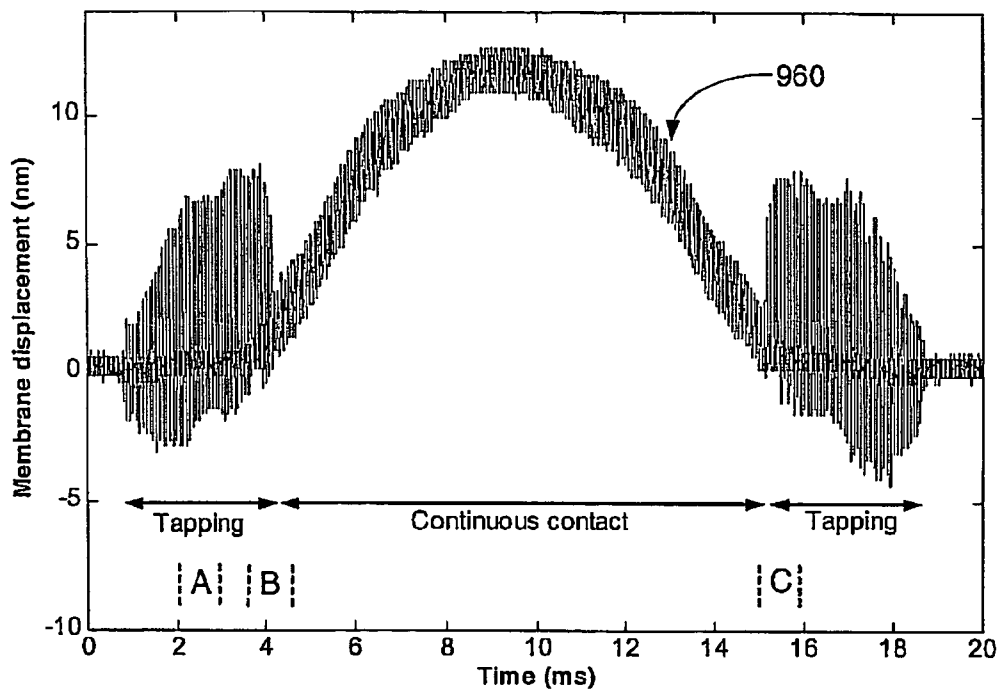


Fig. 9C

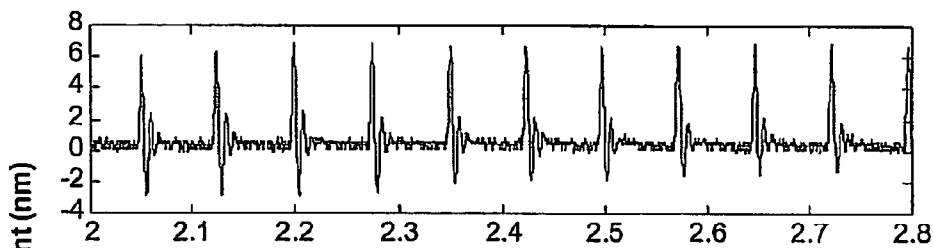


Fig. 9D

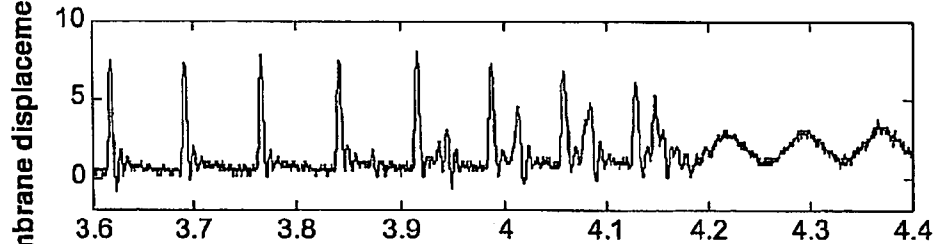


Fig. 9E

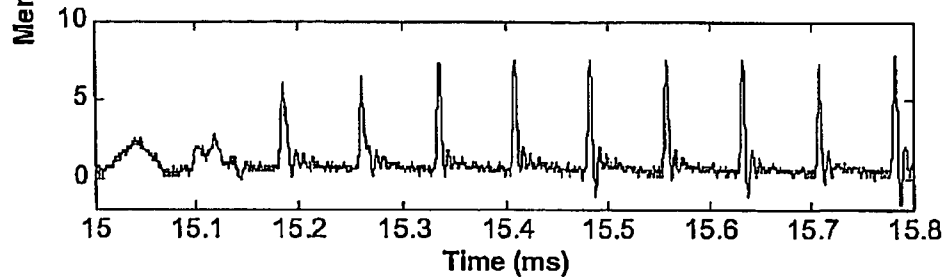


Fig. 9F

Fig. 9G

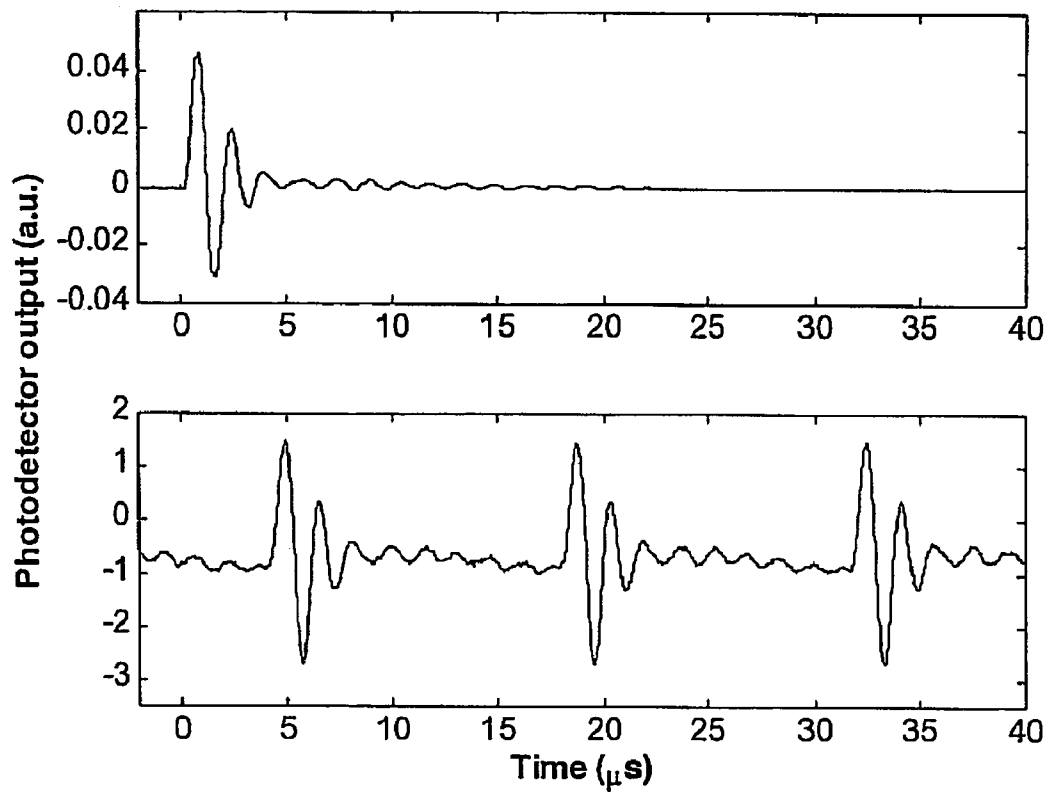


Fig. 9H

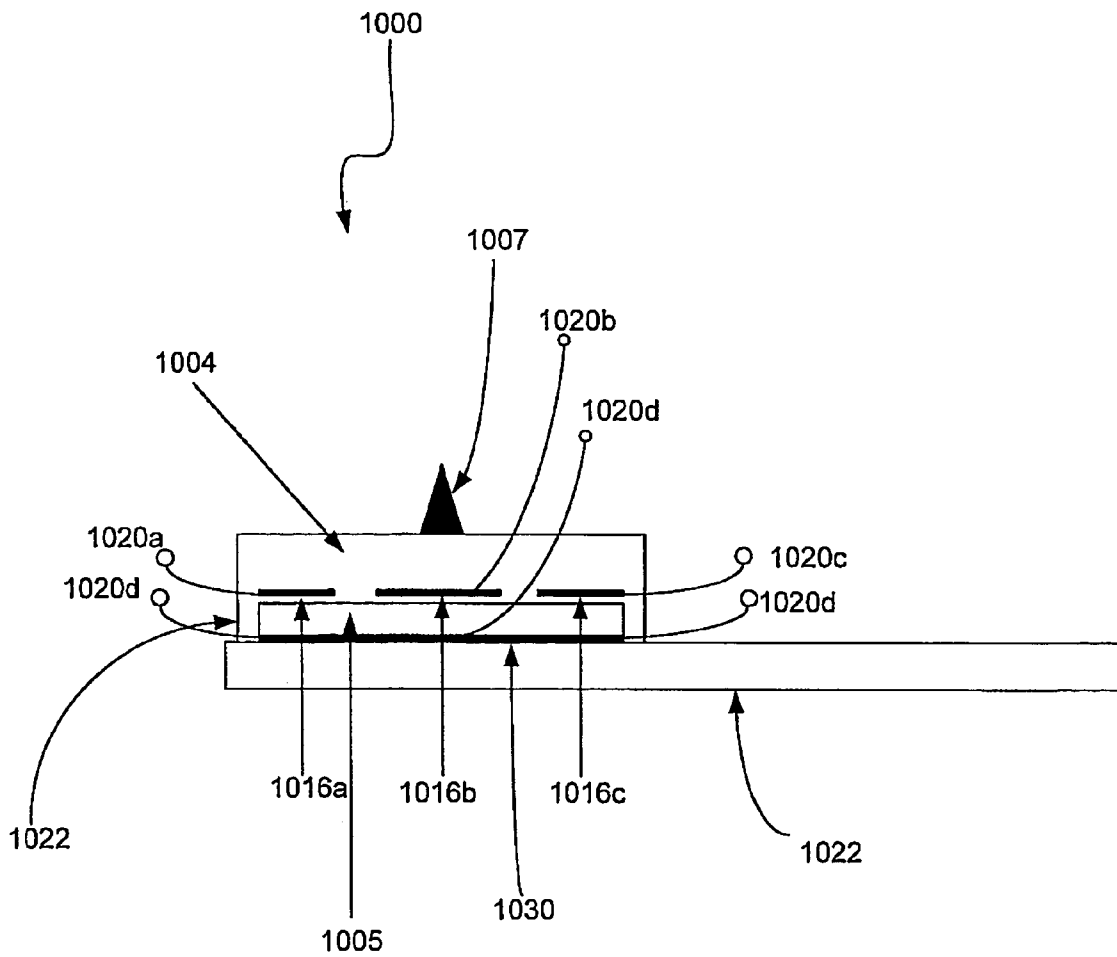
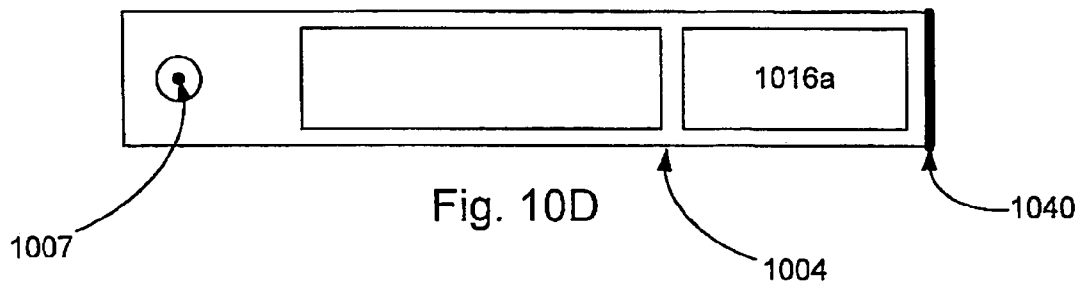
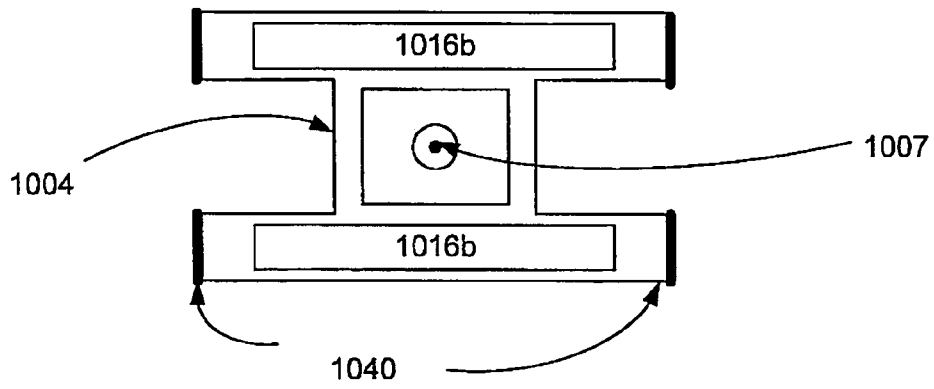
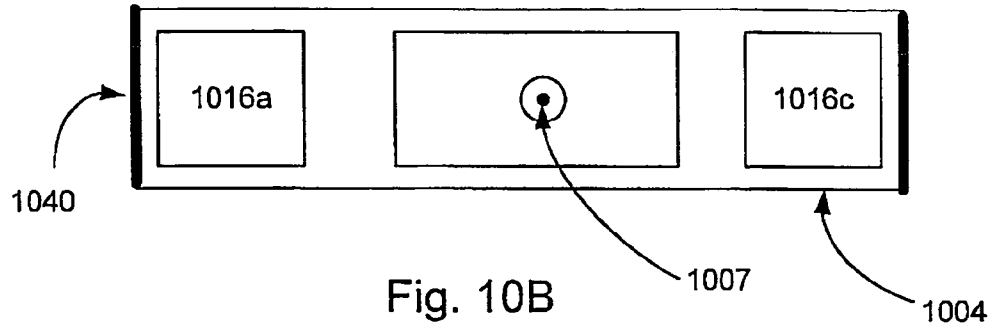
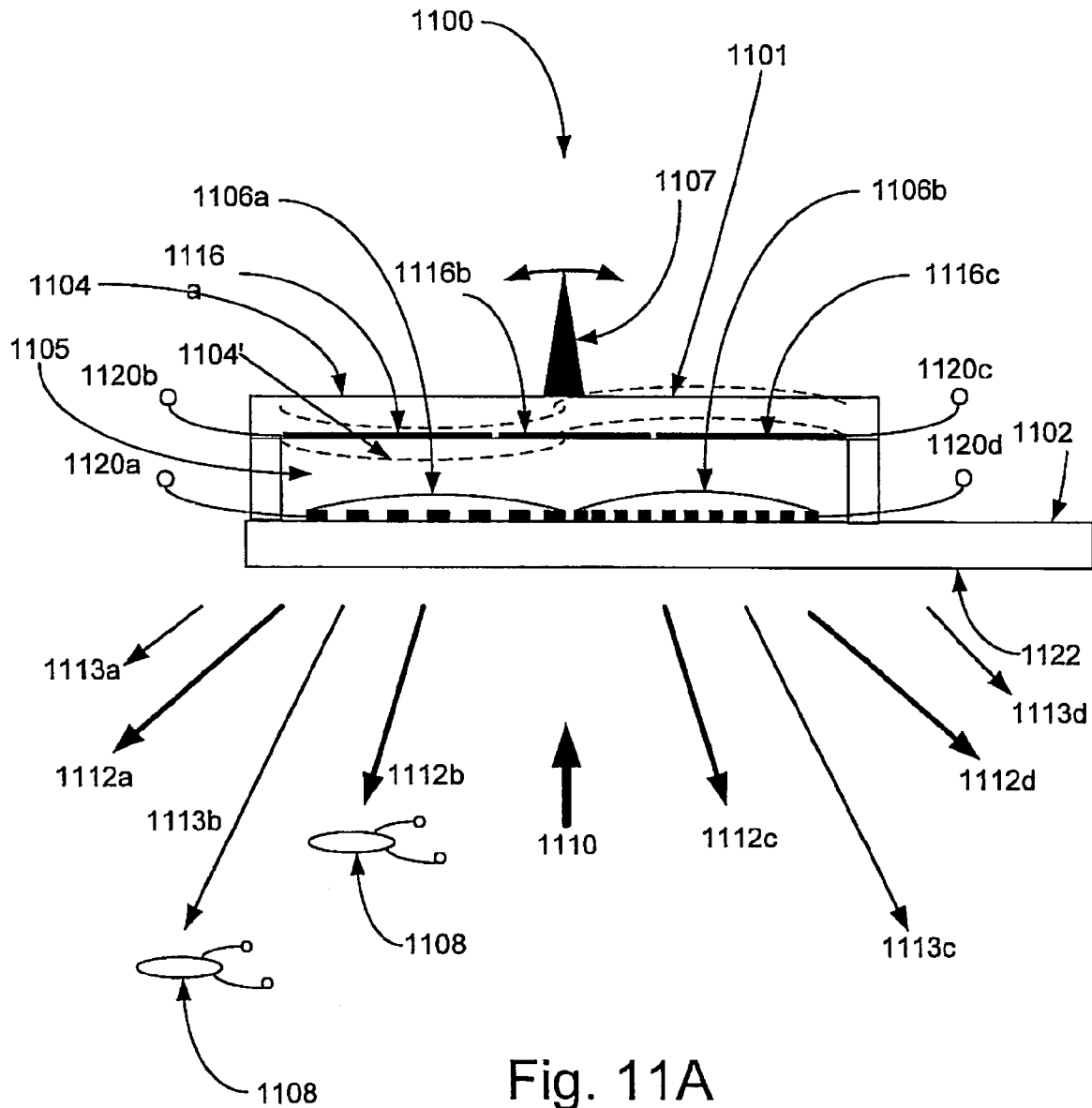


Fig. 10A





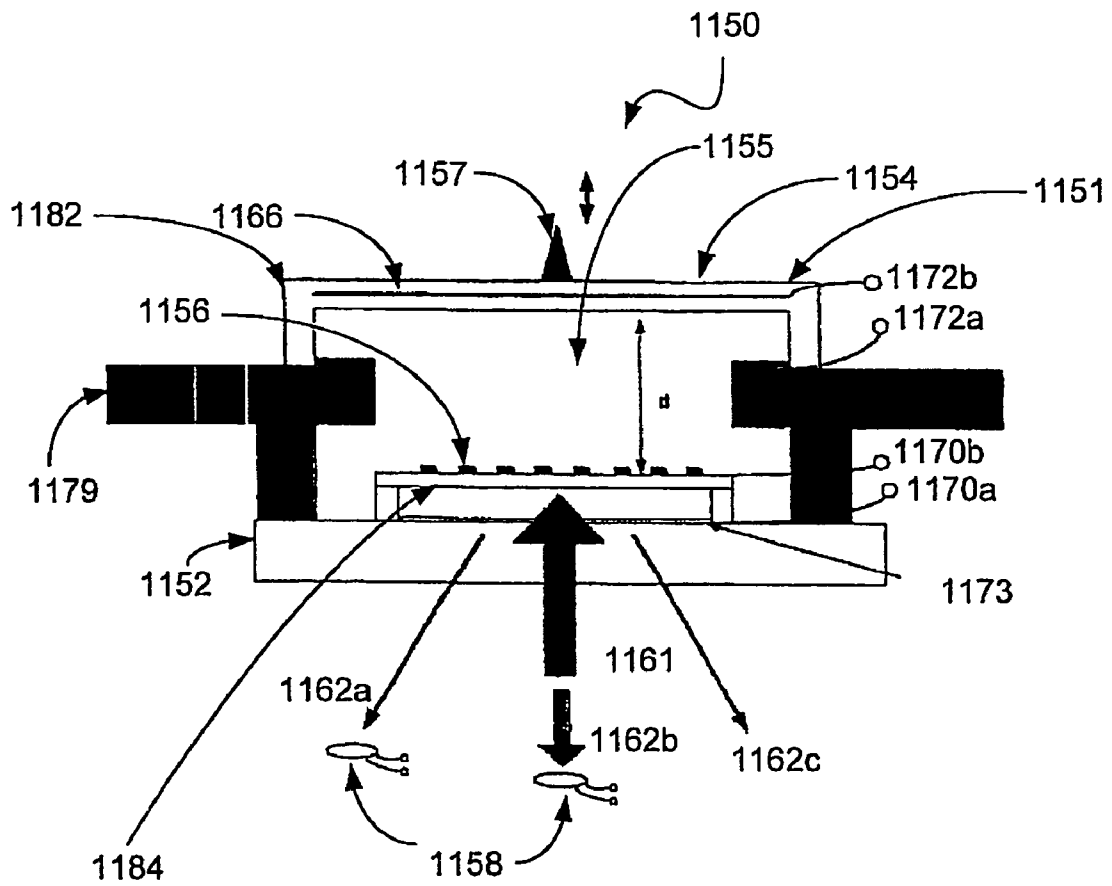


Fig. 11B

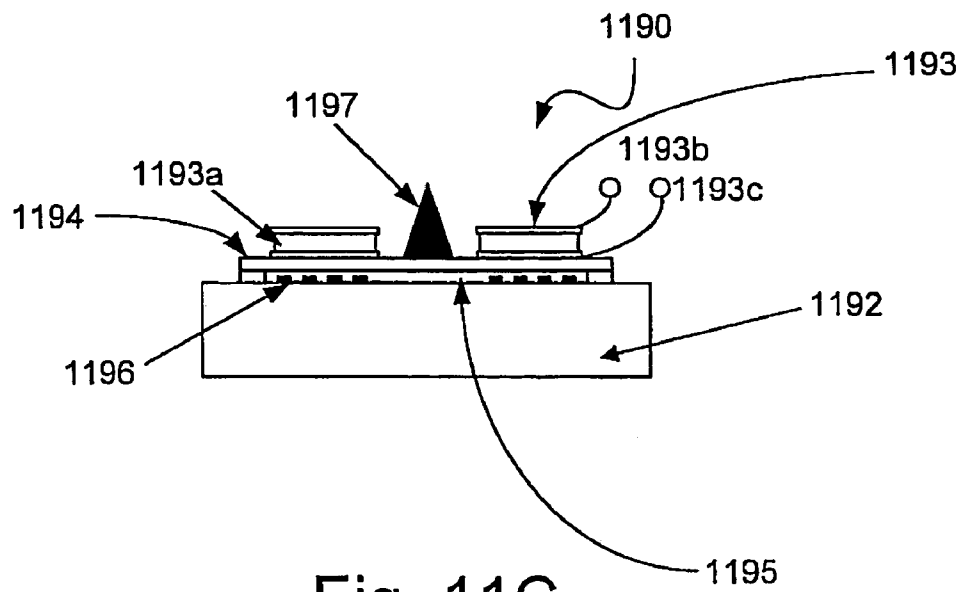


Fig. 11C

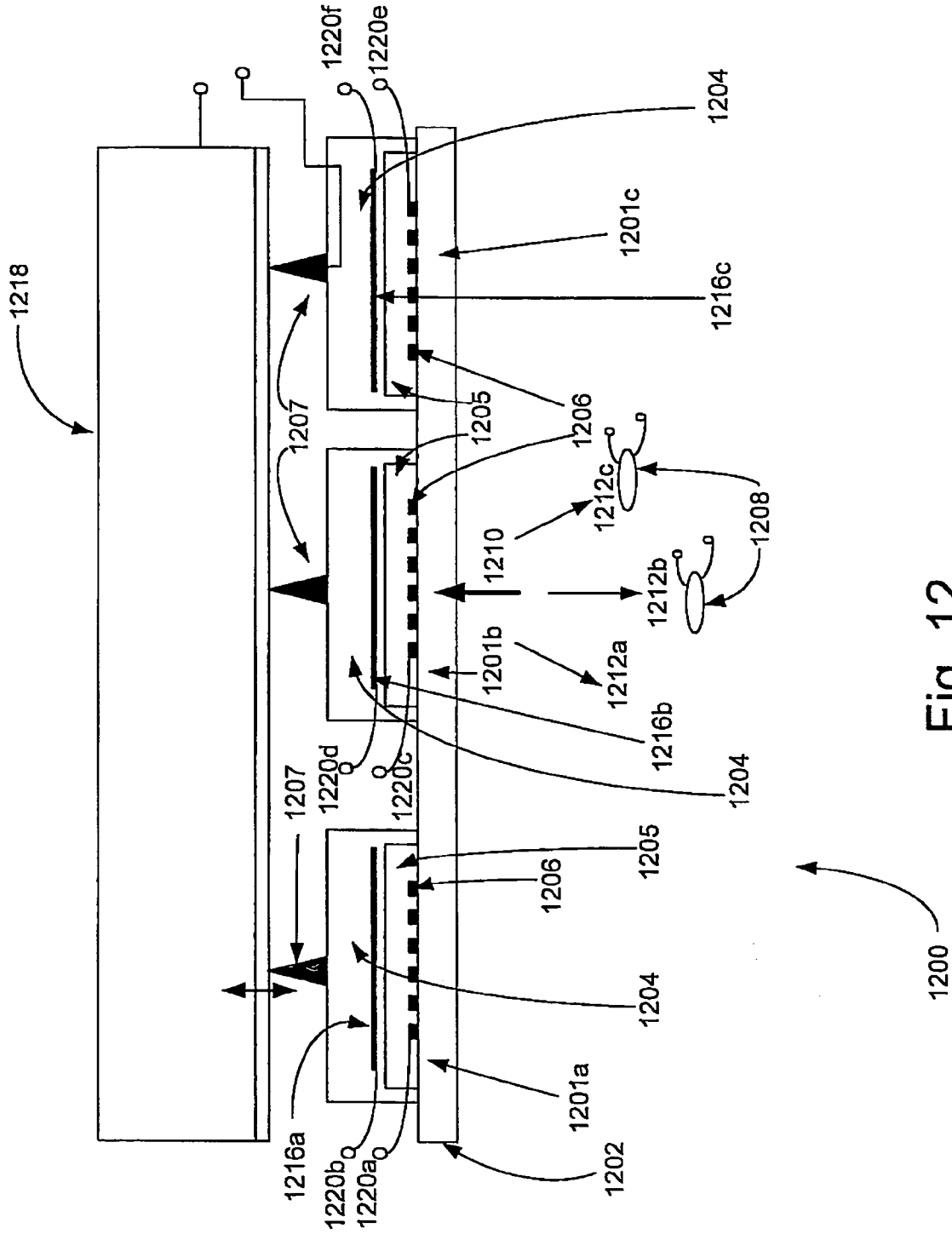


Fig. 12

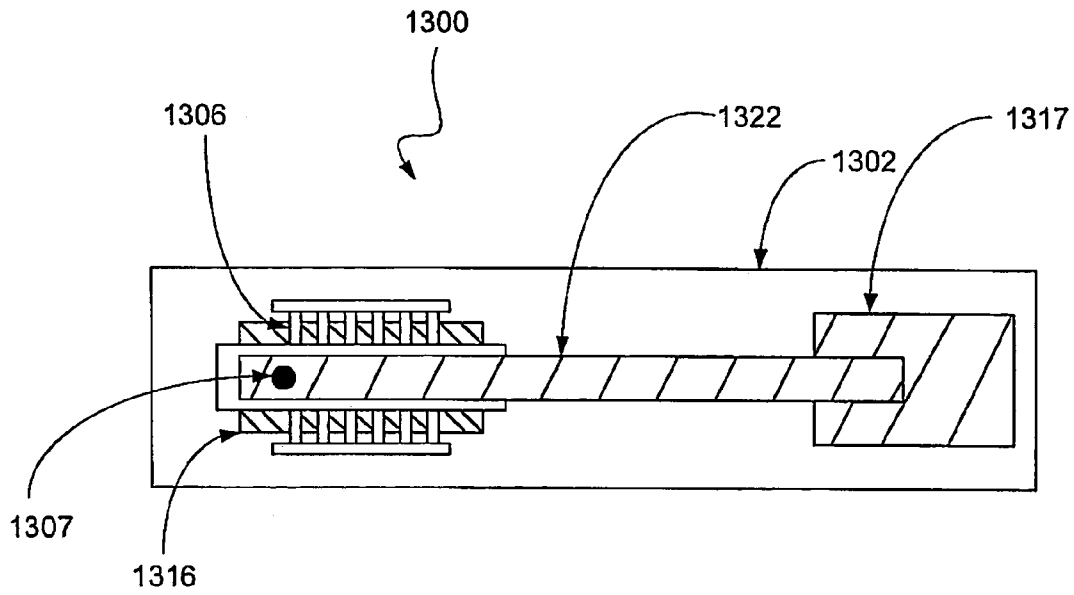


Fig. 13A

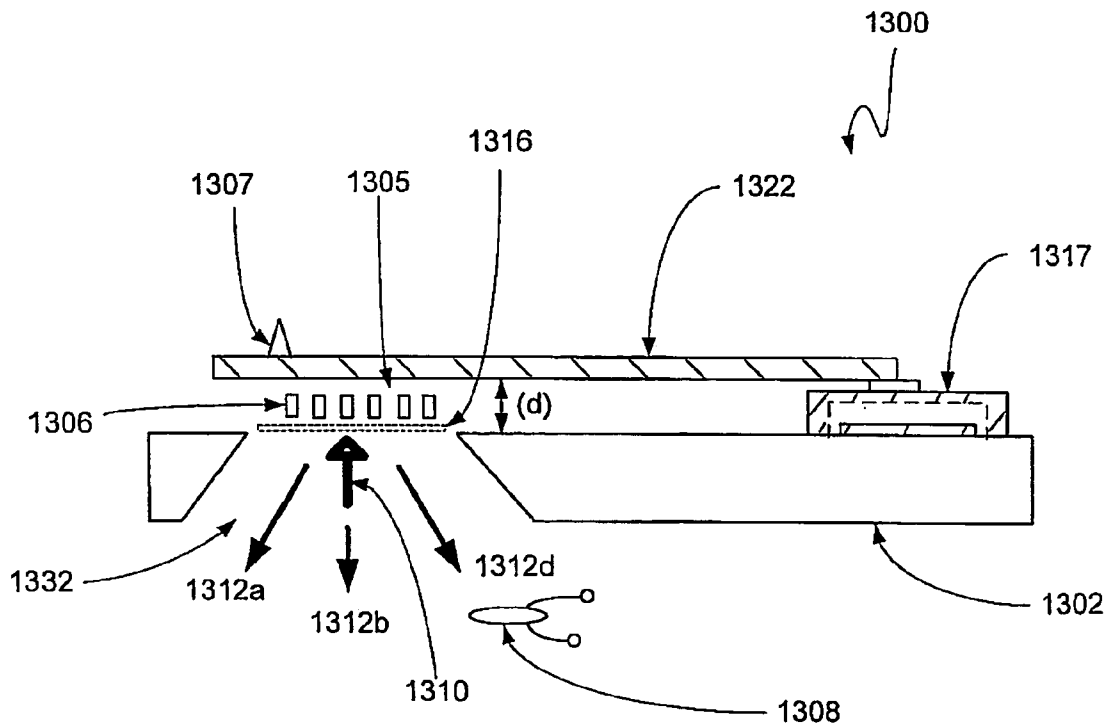


Fig. 13B

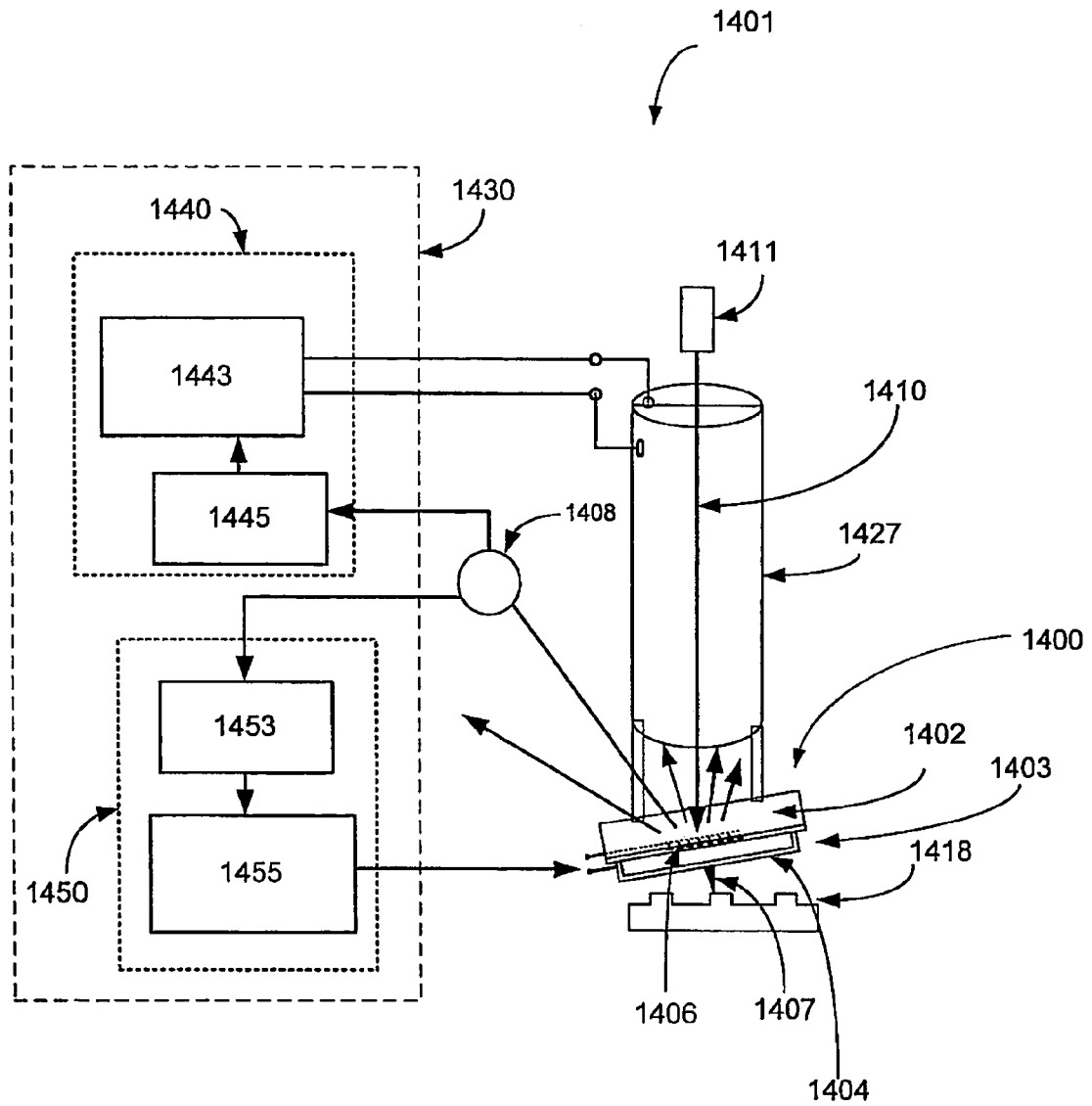


Fig. 14

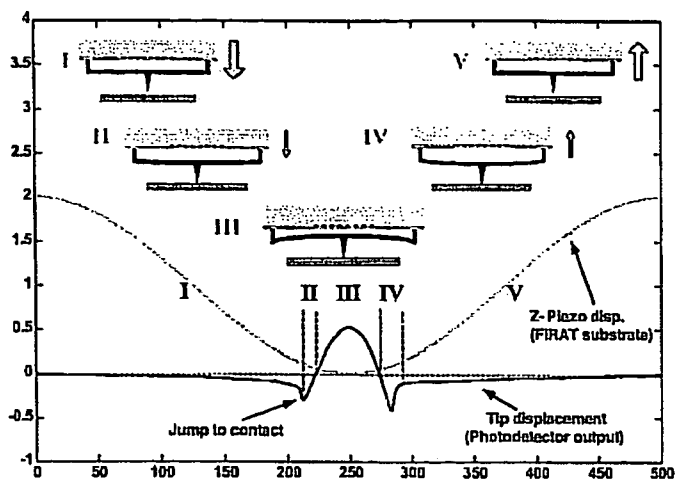


Fig. 15A

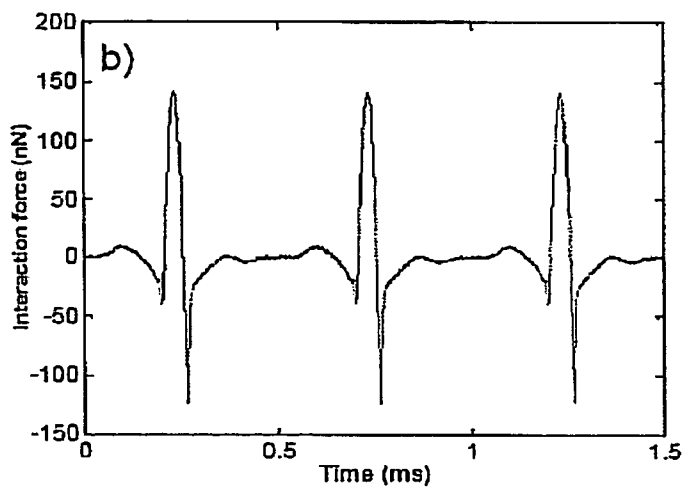


Fig. 15B

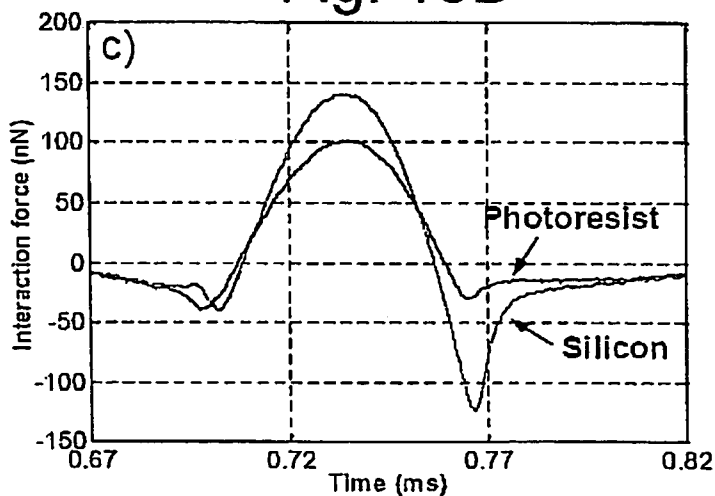


Fig. 15C

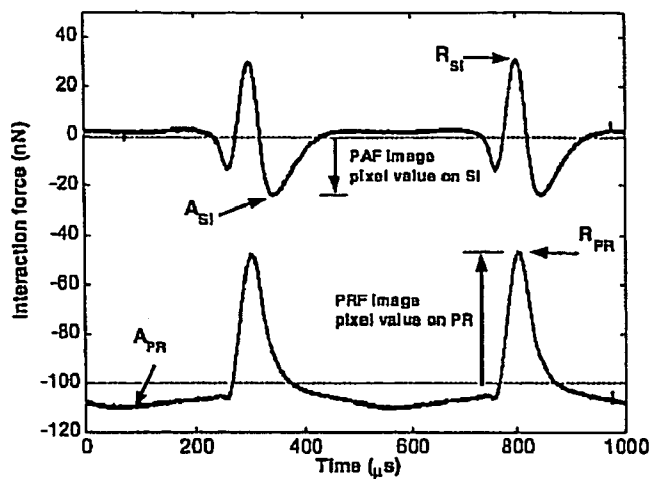


Fig. 16A

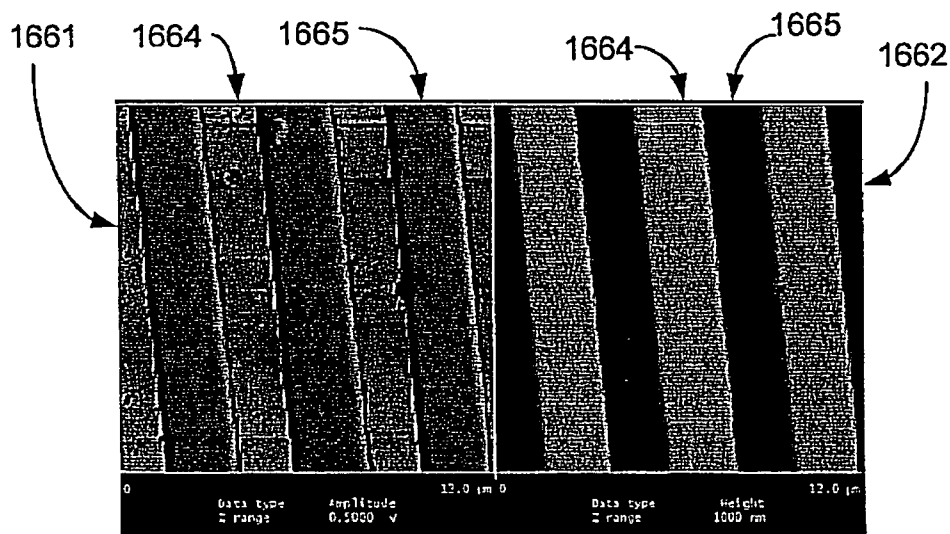


Fig. 16B

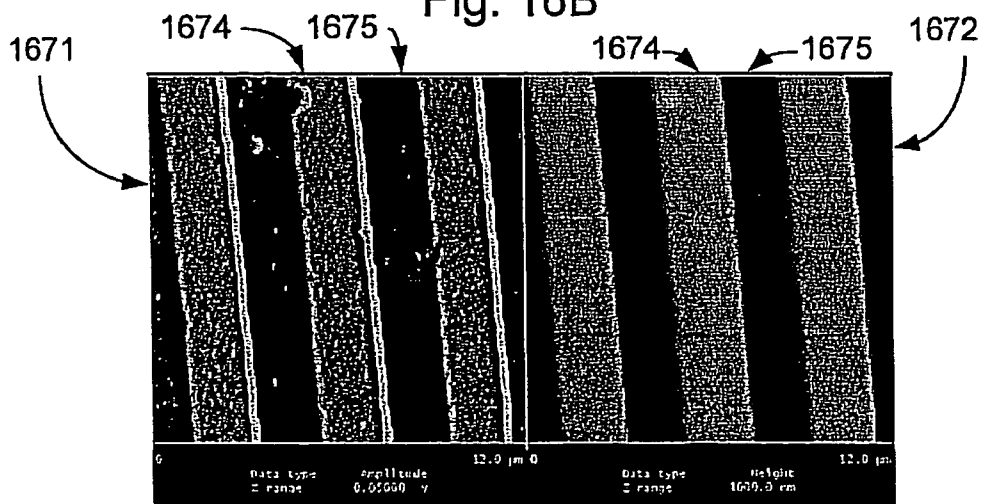


Fig. 16C

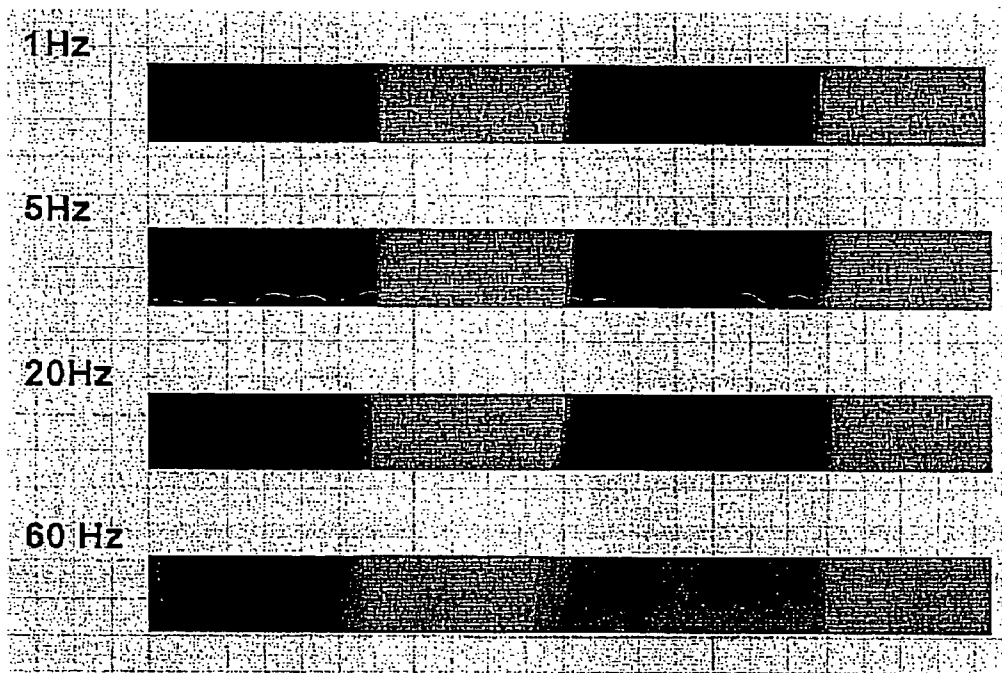


Fig. 17A

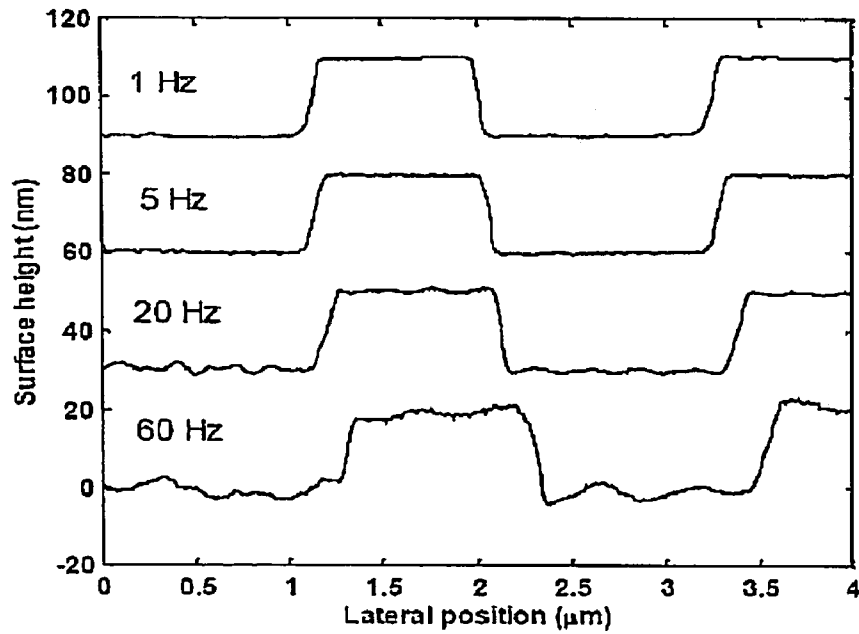


Fig. 17B

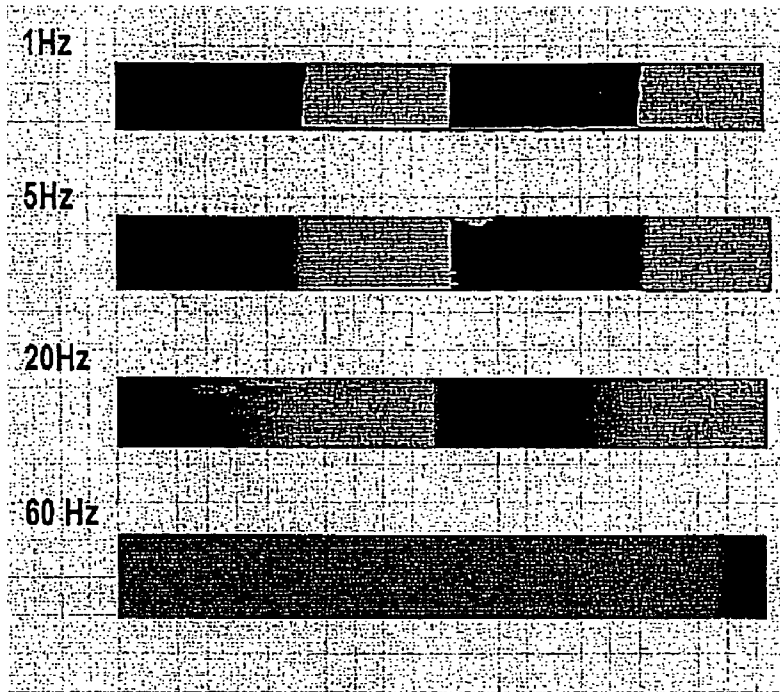


Fig. 17C

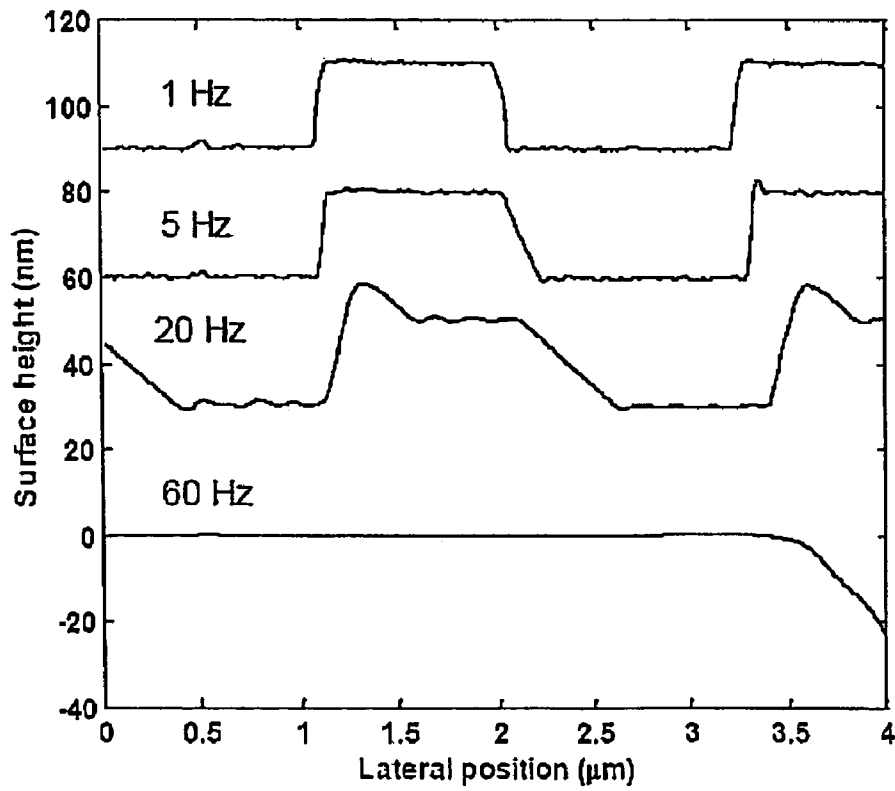


Fig. 17D

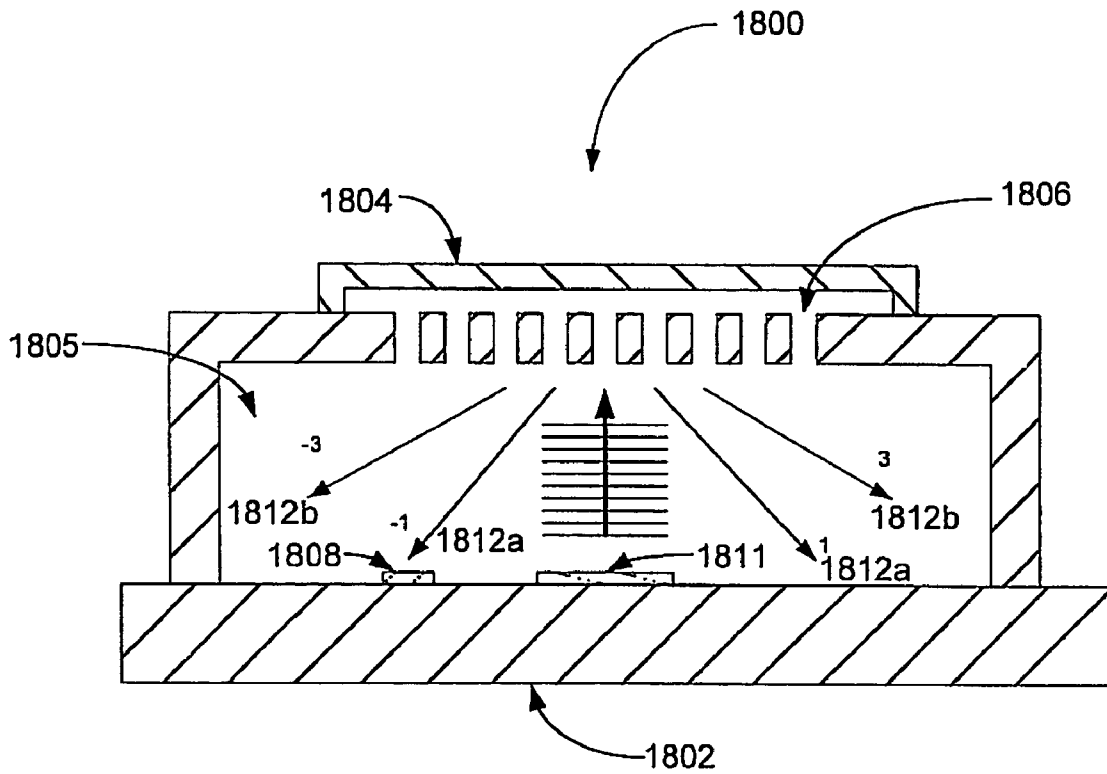


Fig. 18

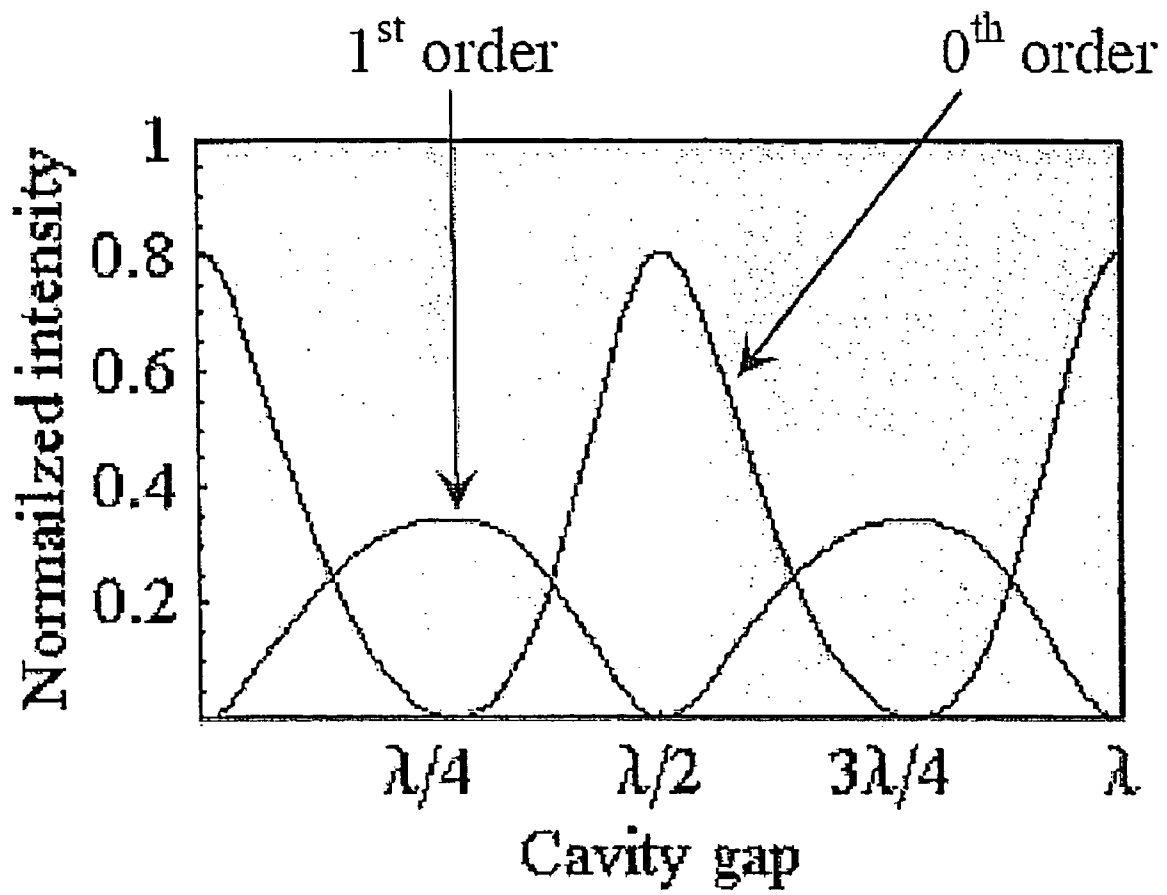


Fig. 19

Fig. 20A

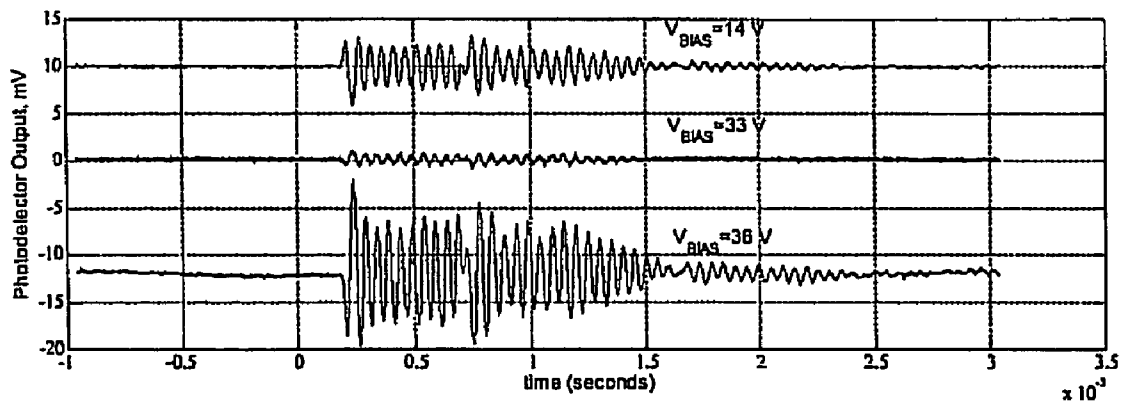
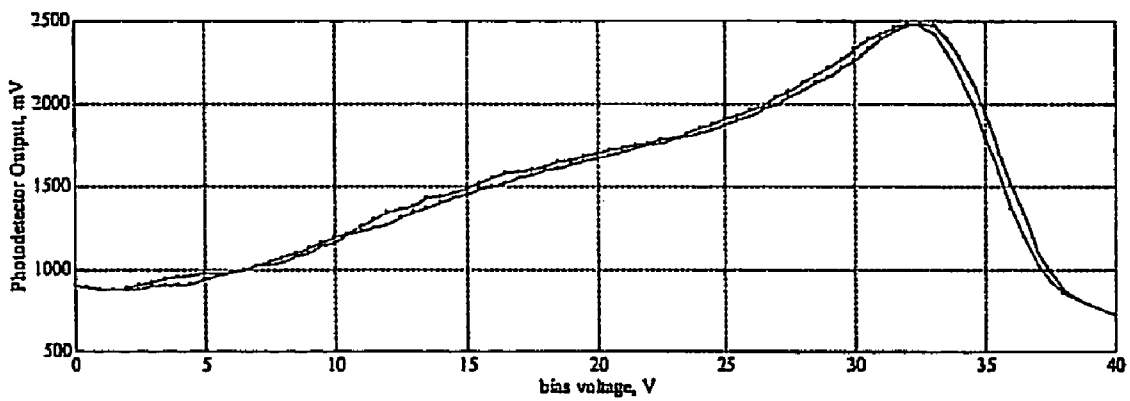


Fig. 20B

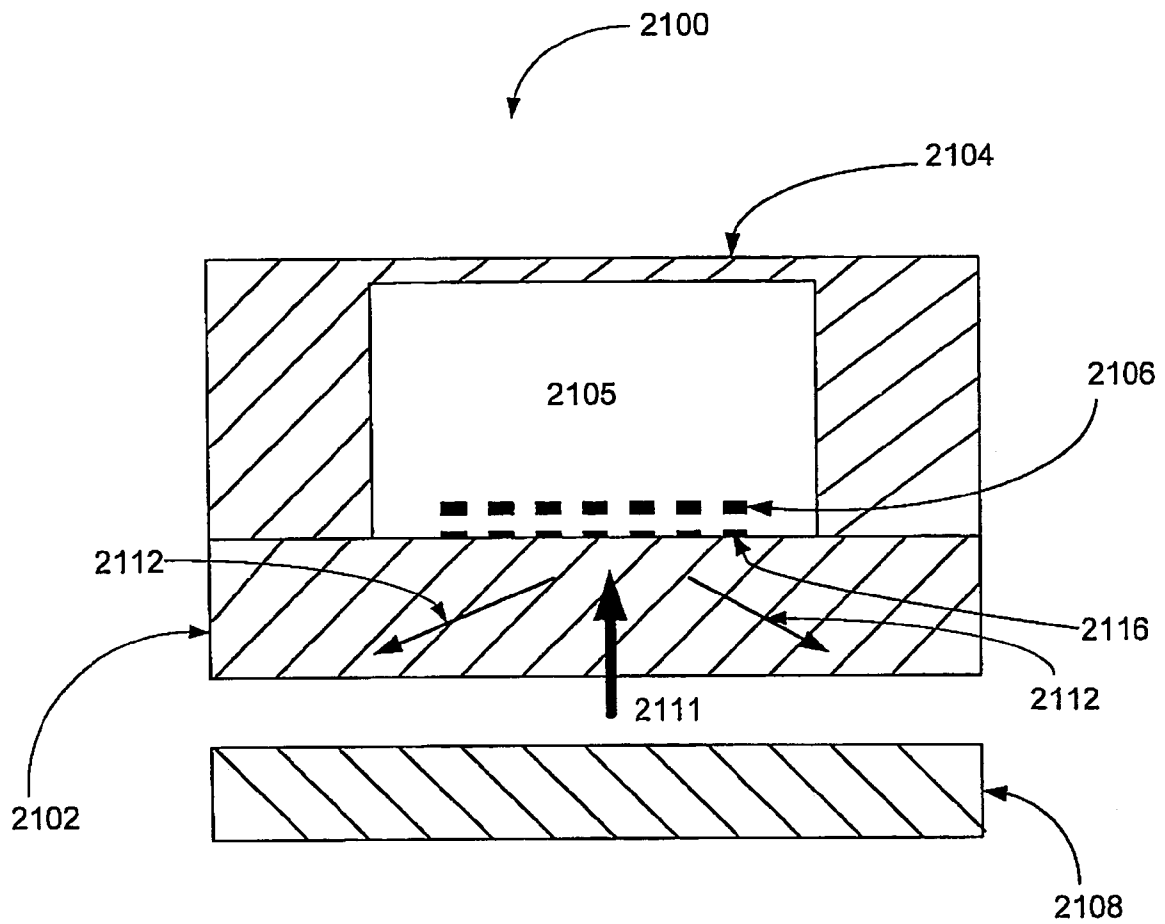


Fig. 21

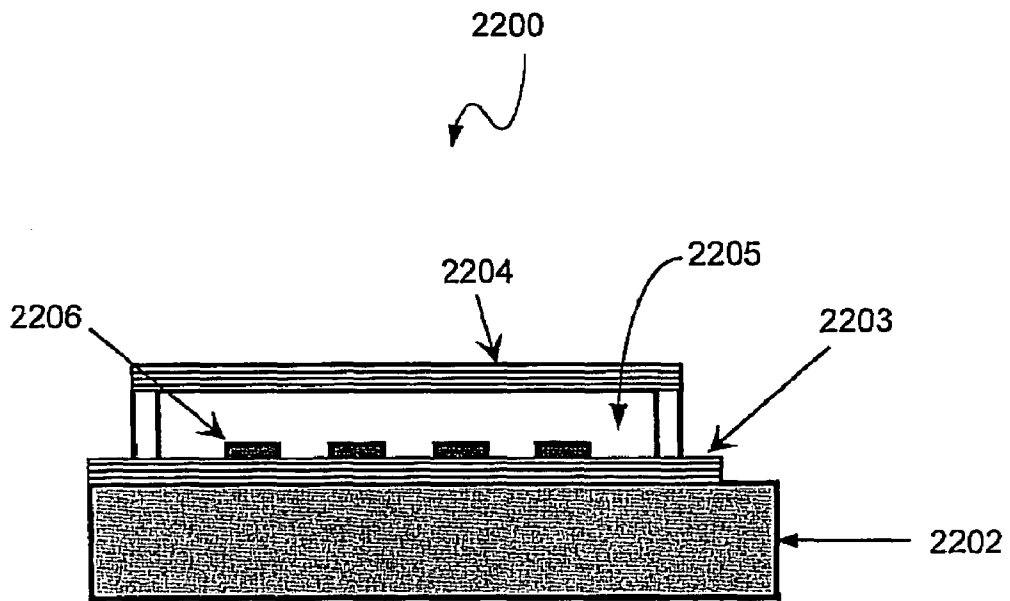


Fig. 22

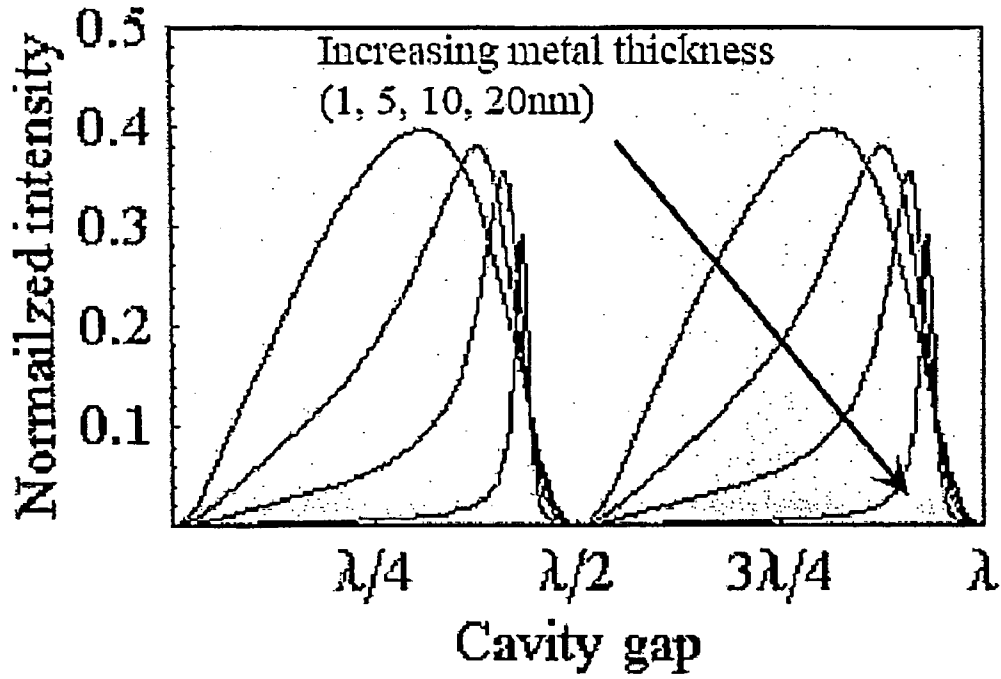


Fig. 23A

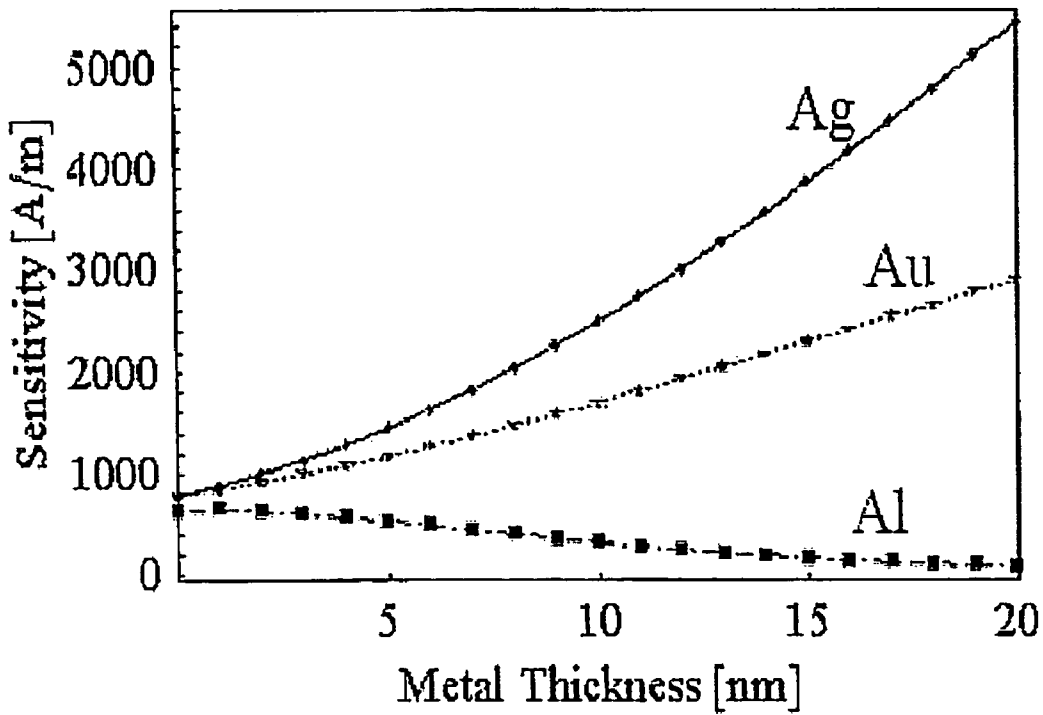


Fig. 23B

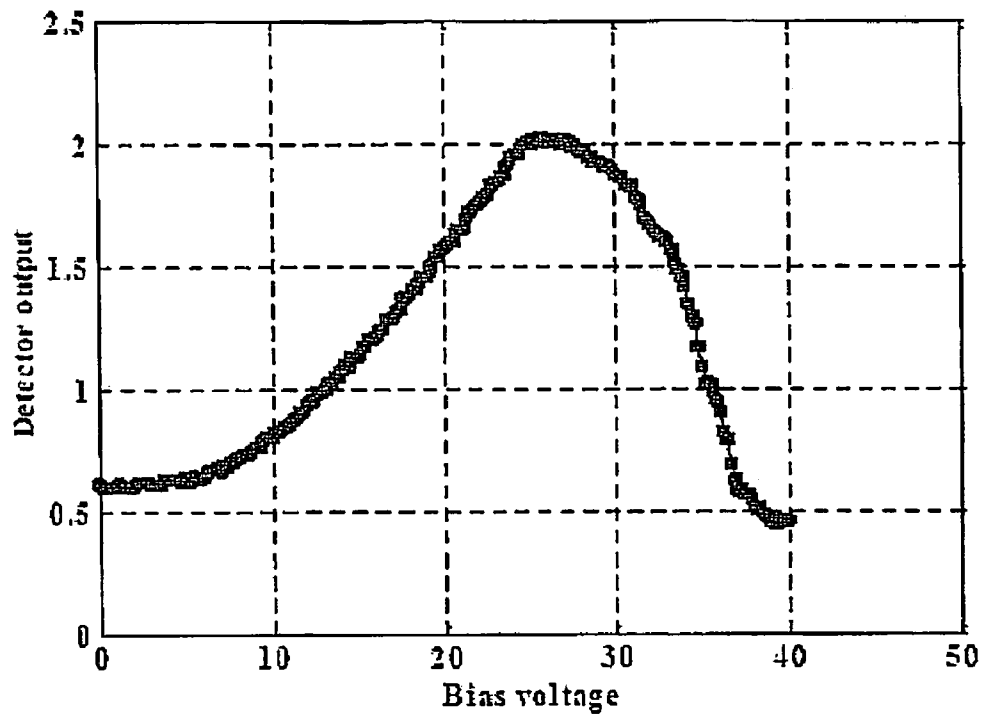


Fig. 24A

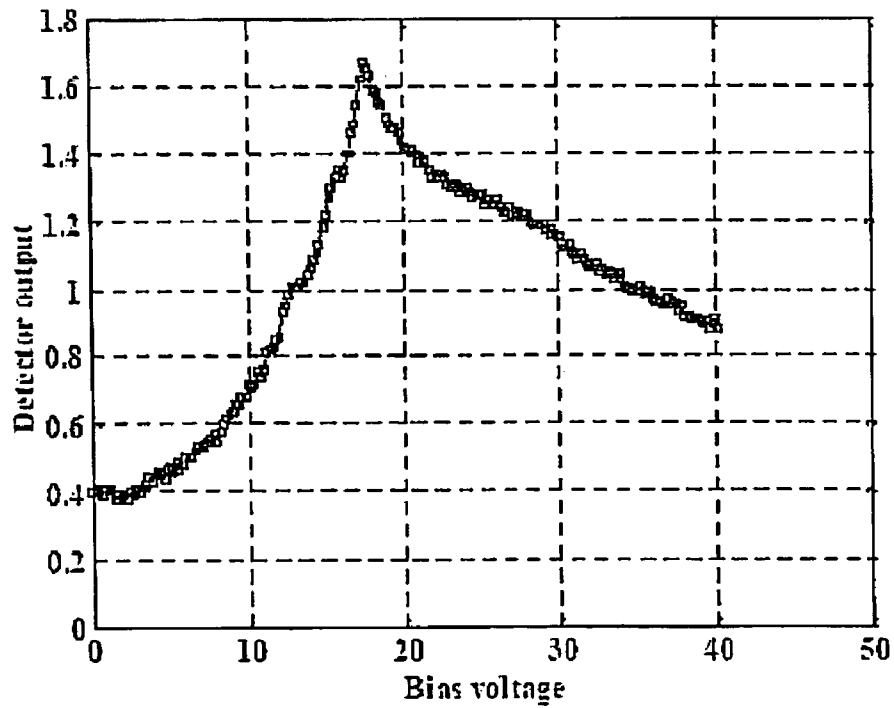


Fig. 24B

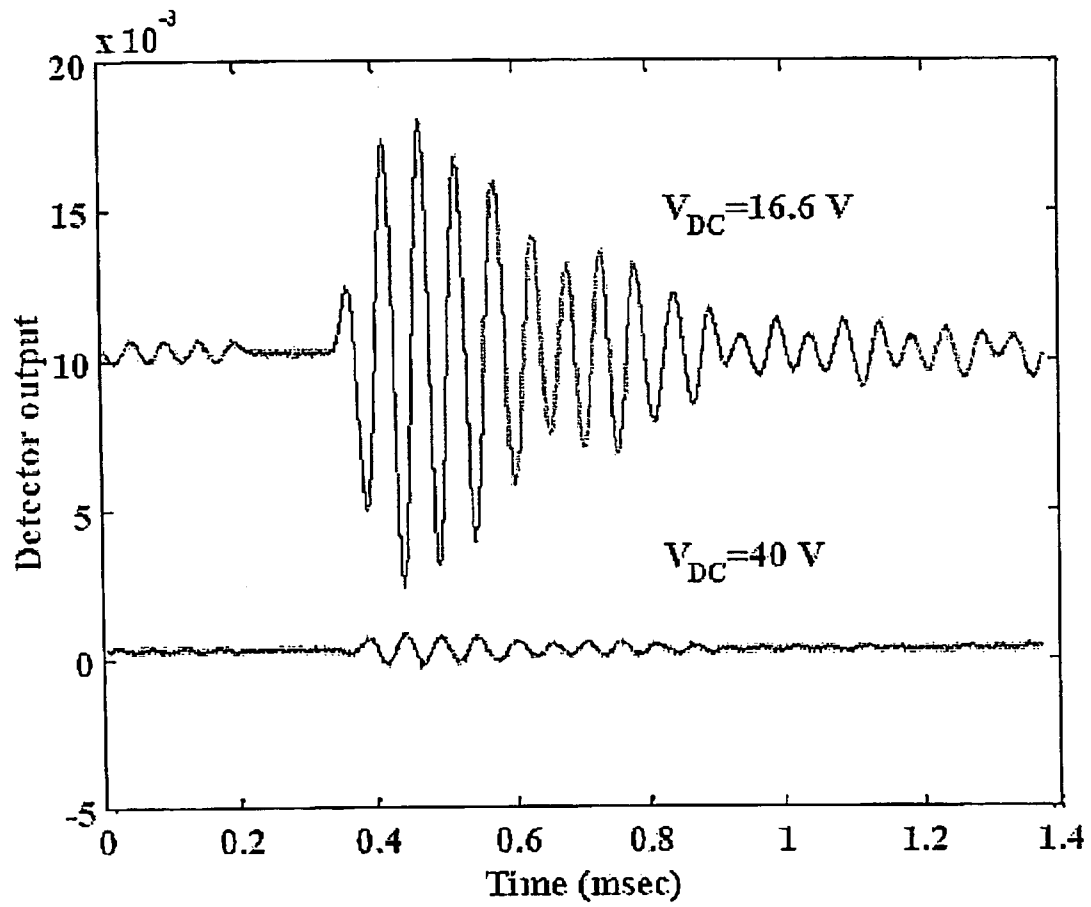


Fig. 24C

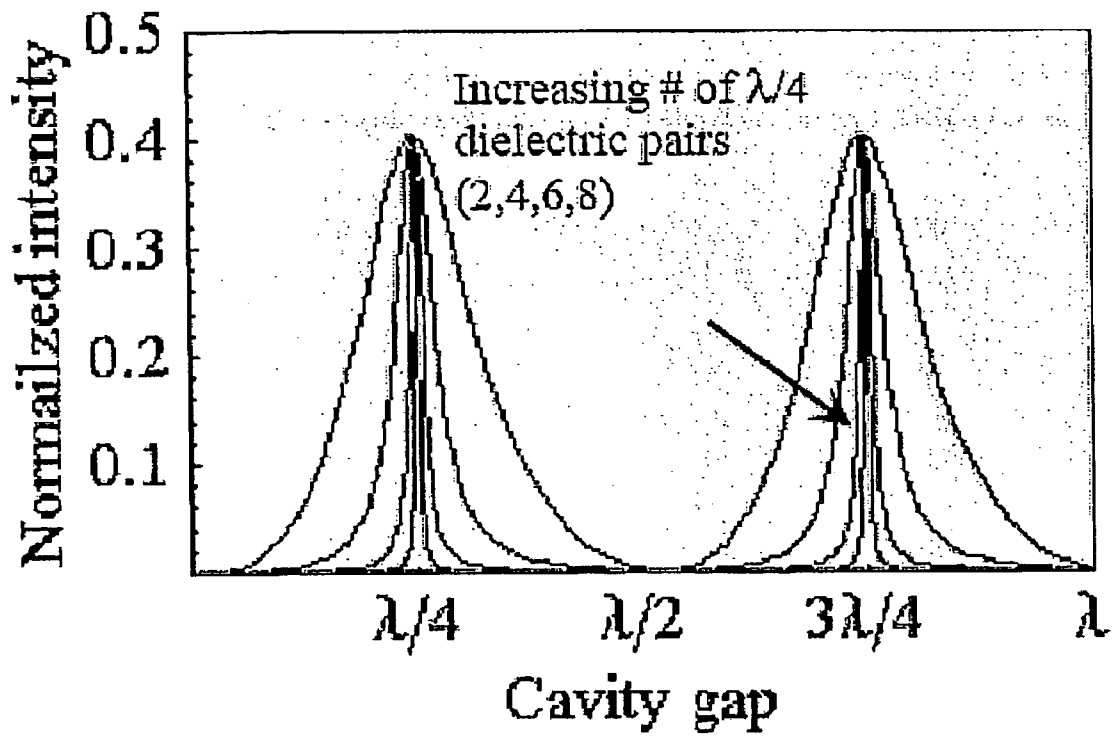
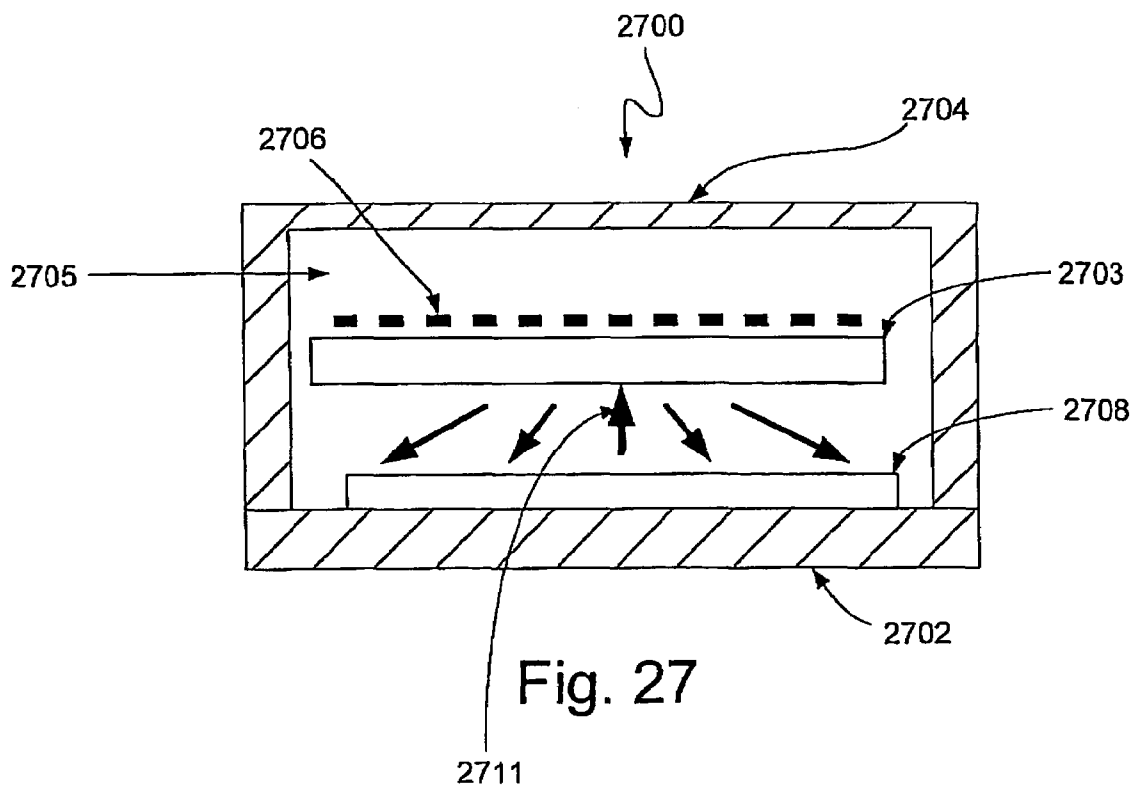
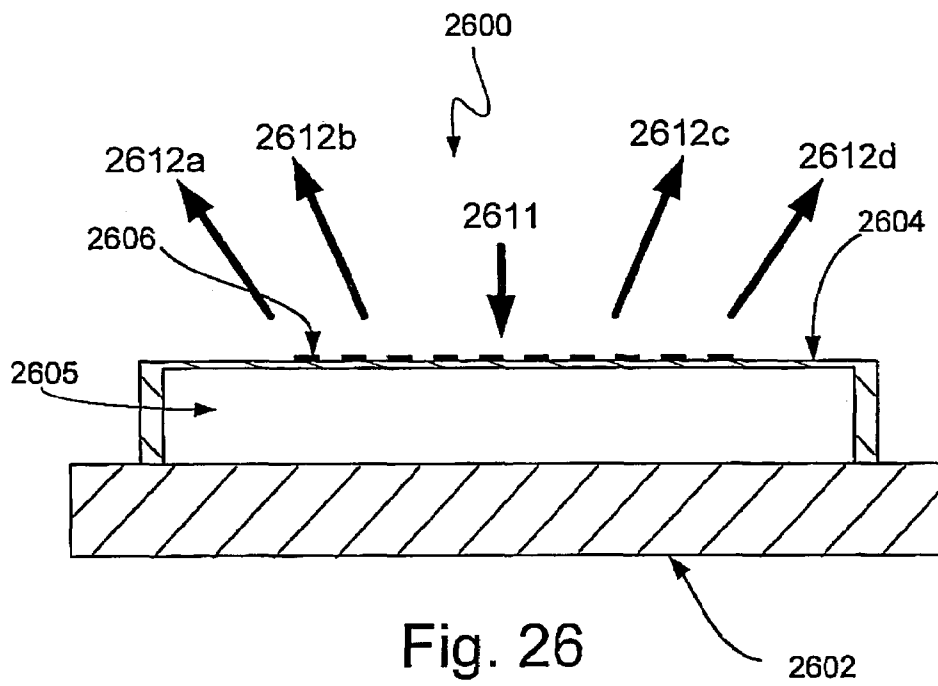


Fig. 25



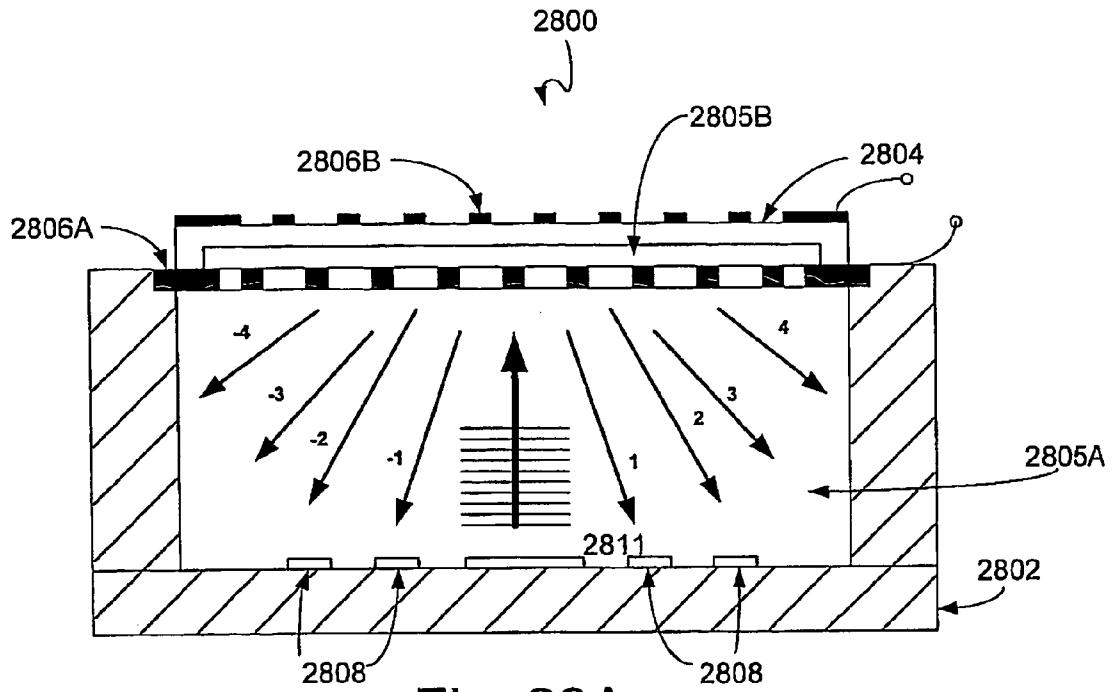


Fig. 28A

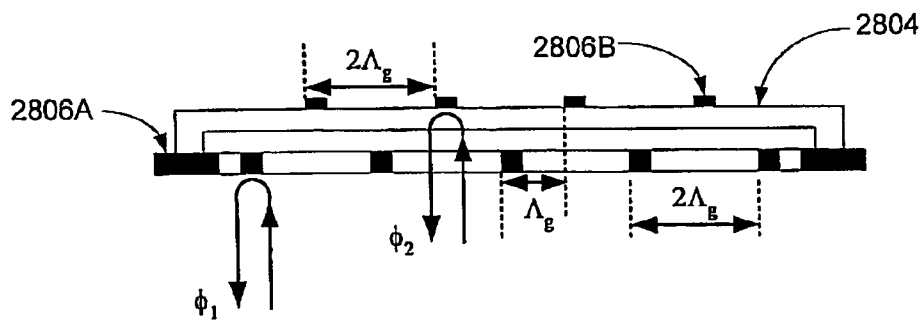


Fig. 28B

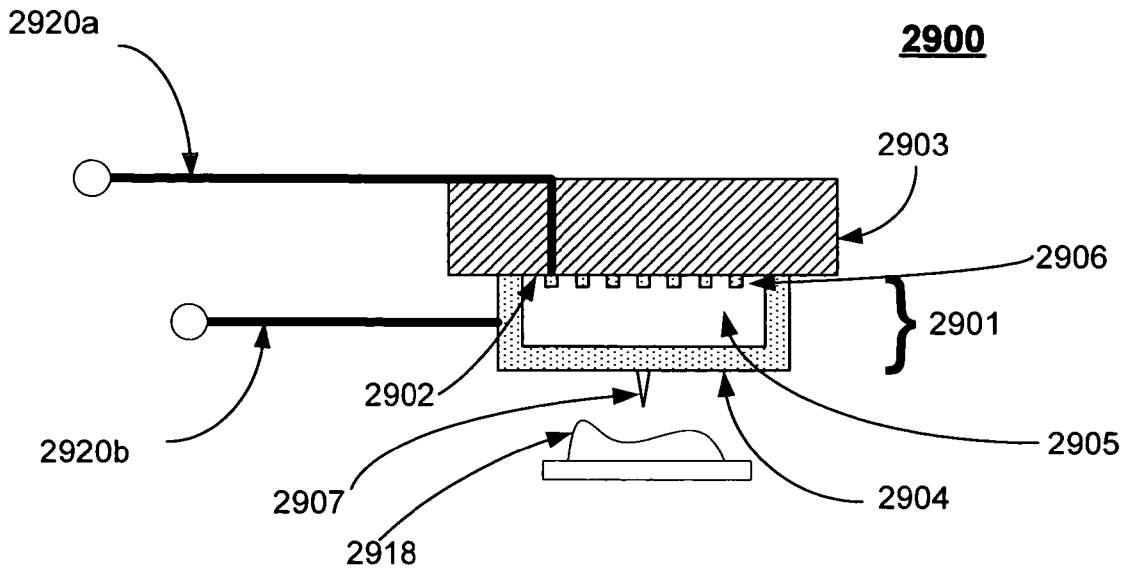


Fig. 29A

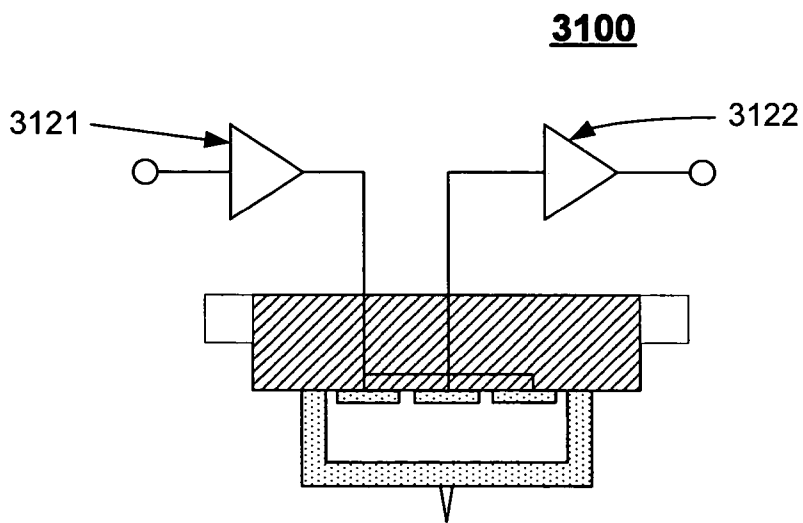
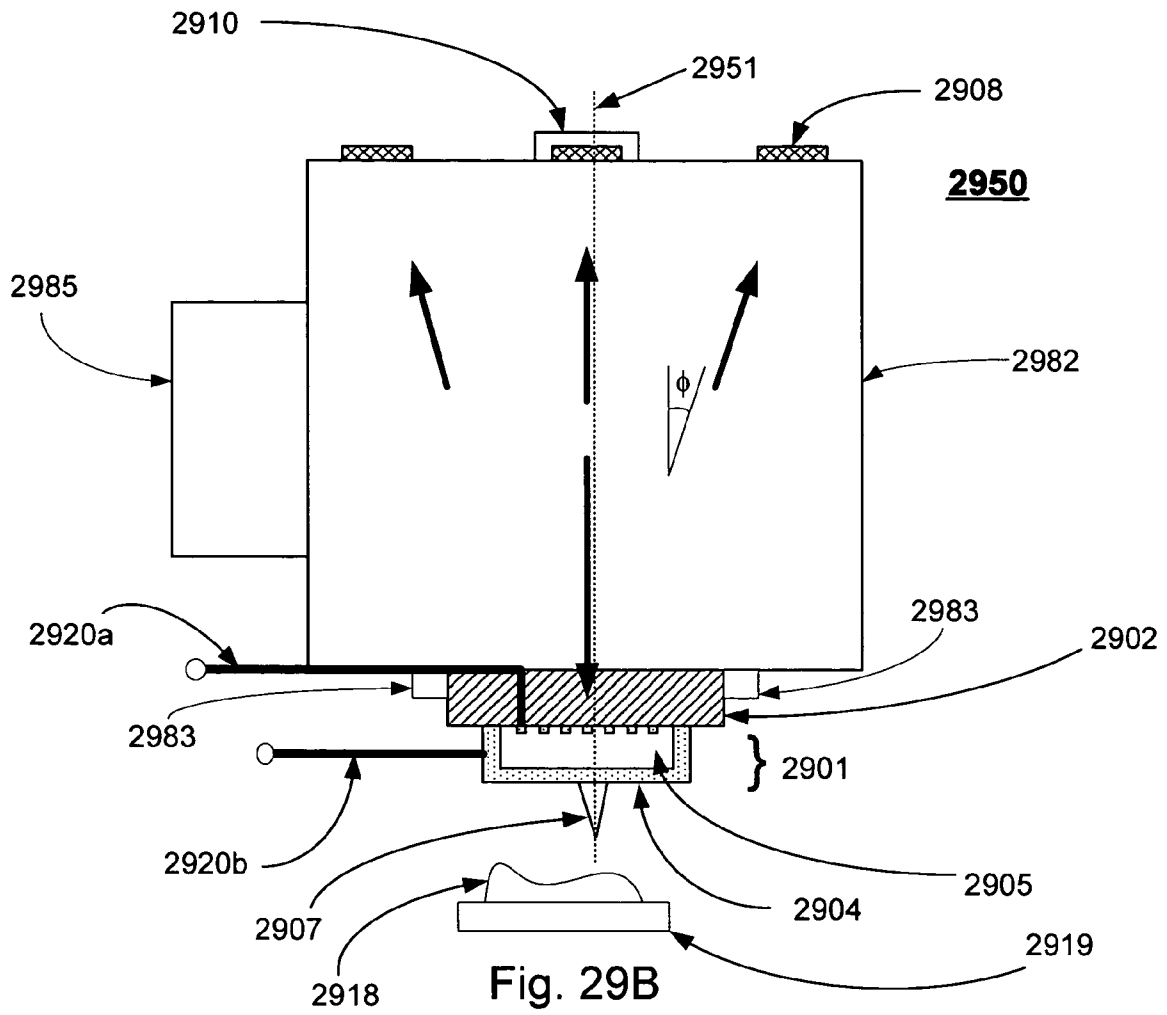


Fig. 31



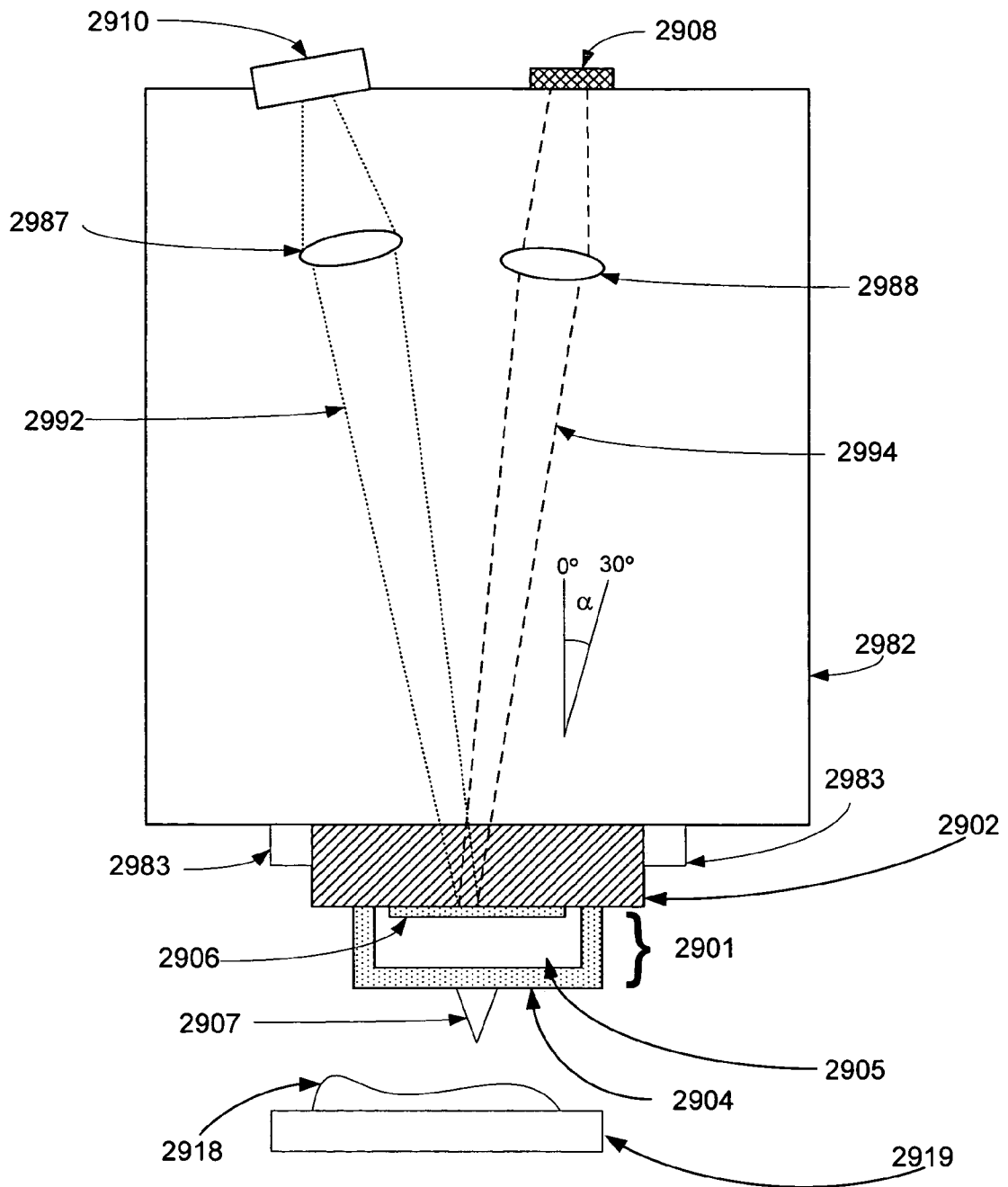


Fig. 29C

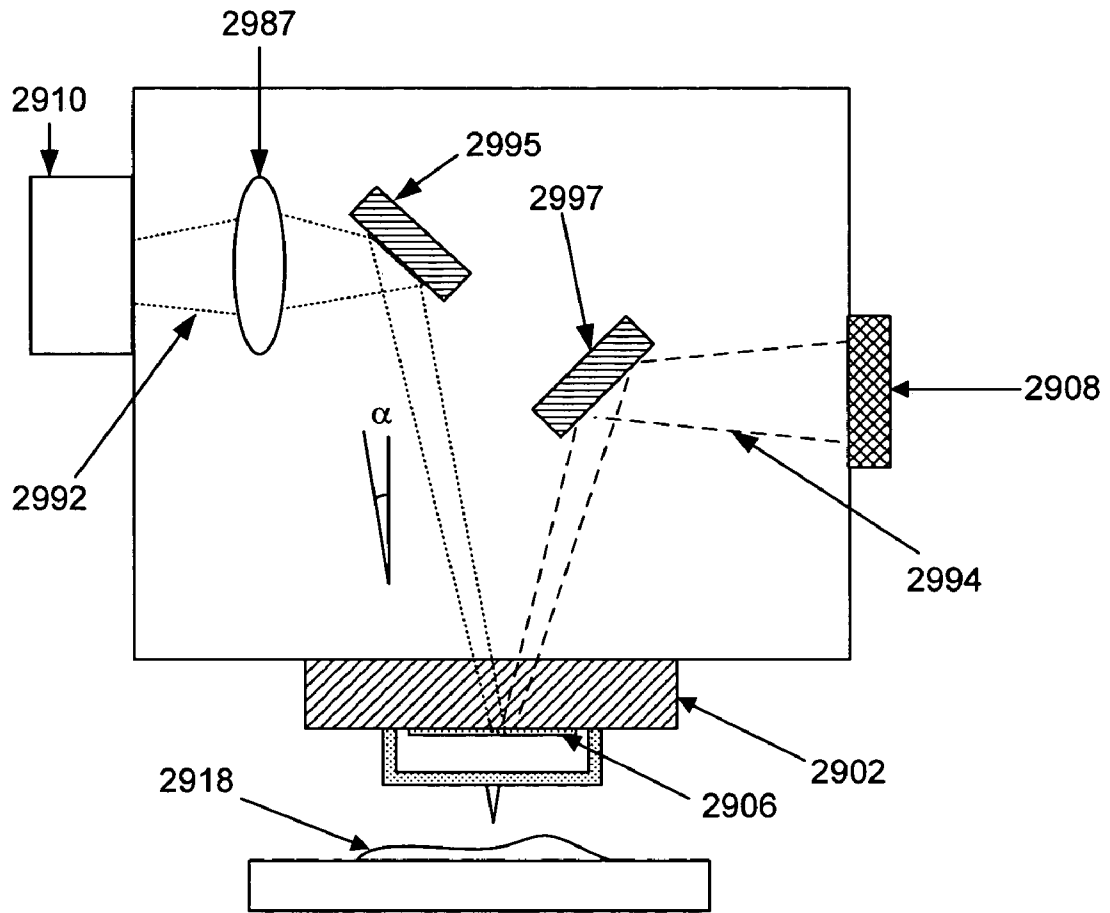


Fig. 29D

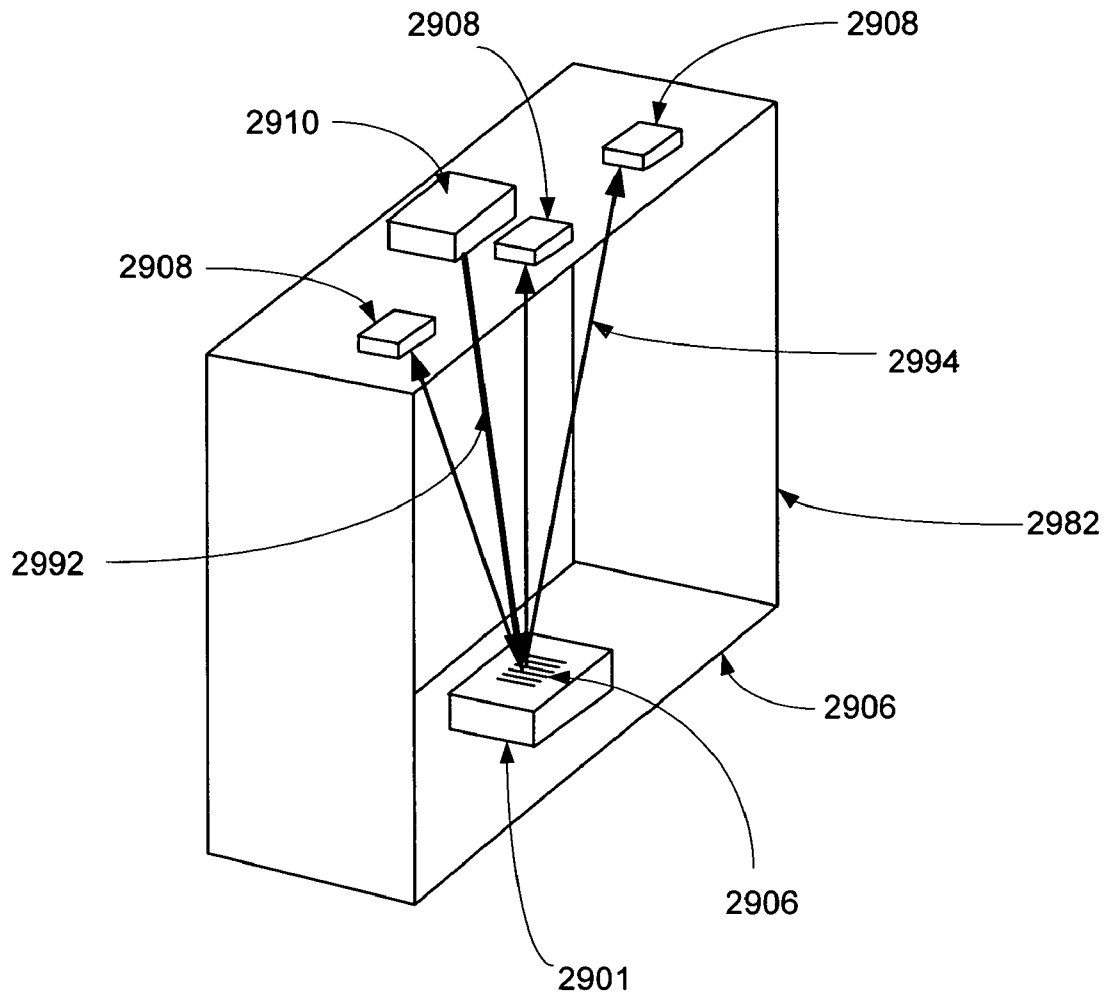
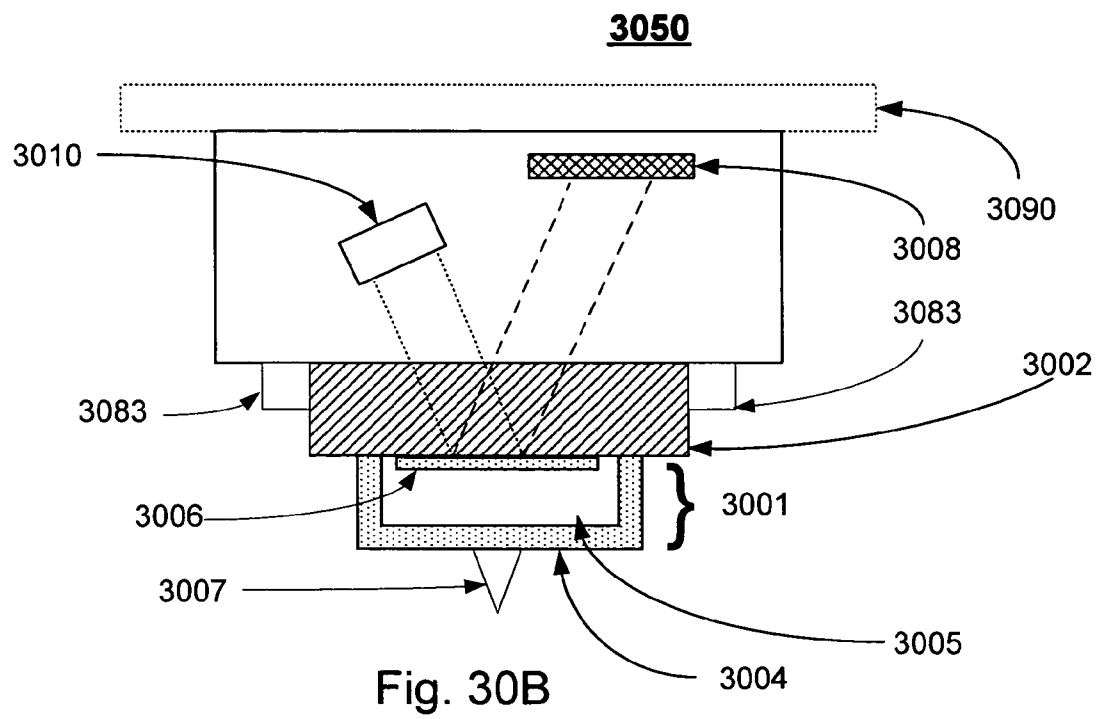
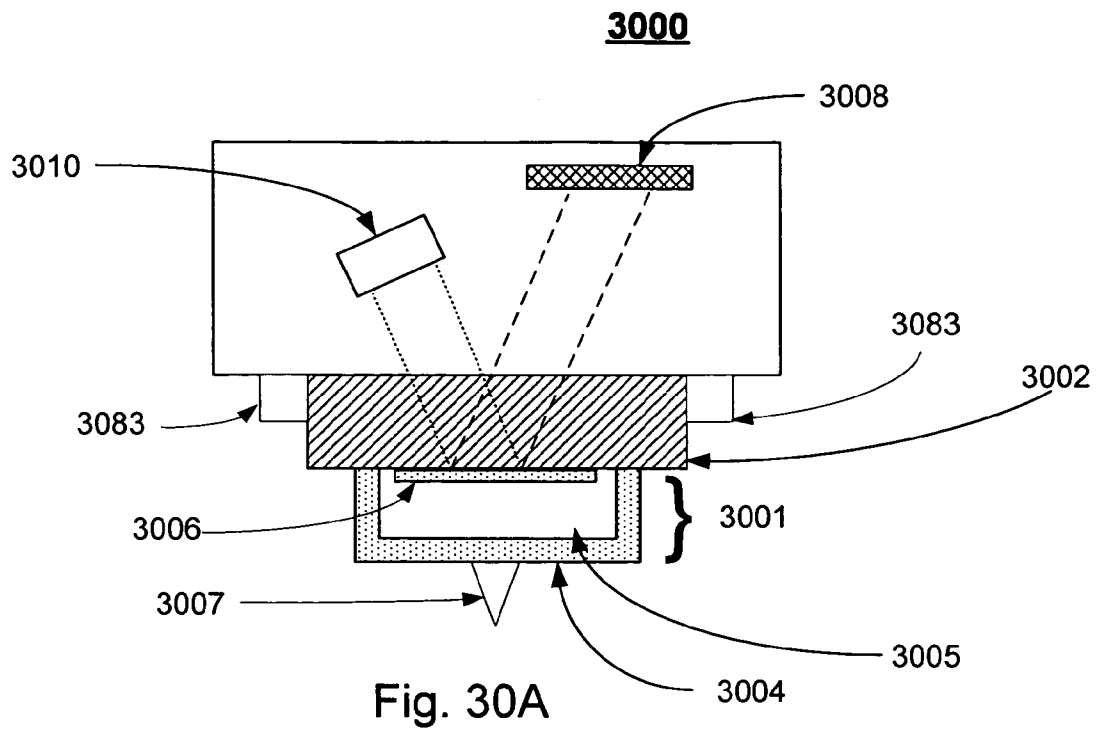


Fig. 29E



**FORCE SENSING INTEGRATED READOUT
AND ACTIVE TIP BASED PROBE
MICROSCOPE SYSTEMS**

CROSS-REFERENCE TO RELATED
APPLICATIONS

This application claims priority to U.S. Provisional Patent Application Ser. No. 60/691,972 filed on Jun. 17, 2005; U.S. Provisional Patent Application Ser. No. 60/707,219 filed on Aug. 11, 2005; U.S. Provisional Patent Application Ser. No. 60/722,397 filed on Oct. 3, 2005; and is a Continuation in Part Application of U.S. patent application Ser. No. 11/260,238 filed on Oct. 28, 2005, the disclosures of which are incorporated by reference herein in their entirety.

GOVERNMENT INTEREST

This invention was developed under Contract ECS-0348582 between the Georgia Institute of Technology and the National Science Foundation. The U.S. Government may have certain rights to this invention.

FIELD OF THE INVENTION

The subject matter of this application relates to probe microscopy. More particularly, the subject matter of this application relates to methods and devices for probe and force microscopes with sensors having improved sensitivity.

BACKGROUND OF THE INVENTION

Conventional atomic force microscope (AFM) and its variations have been used to probe a wide range of physical and biological processes, including mechanical properties of single molecules, electric and magnetic fields of single atoms and electrons. Moreover, cantilever based structures inspired by the AFM have been a significant driver for nanotechnology resulting in chemical sensor arrays, various forms of lithography tools with high resolution, and terabit level data storage systems. Despite the current rate of success, the AFM needs to be improved in terms of speed, sensitivity, and an ability to generate quantitative data on the chemical and mechanical properties of the sample. For example, when measuring molecular dynamics at room temperature, the molecular forces need to be measured in a time scale that is less than the time of the thermal fluctuations to break the bonds. This requires a high speed system with sub-nanonewton and sub-nanometer sensitivity.

Current cantilever-based structures for AFM probes and their respective actuation methodologies lack speed and sensitivity and have hindered progress in the aforementioned areas. Imaging systems based on small cantilevers have been developed to increase the speed of AFMs, but this approach has not yet found wide use due to demanding constraints on optical detection and bulky actuators. Several methods have been developed for quantitative elasticity measurements, but the trade-off between force resolution, measurement speed, and cantilever stiffness has been problematic especially for samples with high compliance and high adhesion. Cantilever deflection signals measured during tapping mode imaging have been inverted to obtain elasticity information with smaller impact forces, but complicated dynamic response of the cantilever increases the noise level and prevents calculation of the interaction forces. Arrays of AFM cantilevers with integrated piezoelectric actuators have been developed for

parallel lithography, but low cantilever speed and complex fabrication methods have limited their use.

Most of the scanning probe microscopy techniques, including tapping mode imaging and force spectroscopy, rely on measurement of the deflection of a microcantilever with a sharp tip. Therefore, the resulting force data depend on the dynamic properties of the cantilever, which shapes the frequency response. This can be quite limiting, as mechanical structures like cantilevers are resonant vibrating structures and they provide information mostly only around these resonances. For example, in tapping mode imaging it is nearly impossible to recover all the information about the tip-sample interaction force, since the transient force applied at each tap cannot be observed as a clean time signal.

Moreover, conventional methods of imaging with scanning probes can be time consuming while others are often destructive because they require static tip-sample contact. Dynamic operation of AFM, such as the tapping-mode, eliminates shear forces during the scan. However, the only free variable in this mode, the phase, is related to the energy dissipation and it is difficult to interpret. Further, the inverse problem of gathering the time-domain interaction forces from the tapping signal is not easily solvable due to complex dynamics of the AFM cantilever. Harmonic imaging is useful to analyze the sample elastic properties, but this method recovers only a small part of the tip-sample interaction force frequency spectrum.

Other problems associated with conventional AFM systems revolve around the systems' cantilever and tip. Typical AFM tips consist of a micromachined silicon shard attached to the end of a cantilever or silicon or silicon nitride structures with a sharp edge fabricated as an integral part of the cantilever. These tips are difficult to make and break easily. Therefore, the cantilevers have a limited useful lifetime, requiring the user to frequently replace them. In addition to being fragile, the cantilevers are difficult to properly align in an AFM system. Shape and curvature differences among the cantilevers caused by non-uniformities in material properties or fabrication conditions also require the optical systems to be realigned every time a new cantilever is used. In many cases, a system of lasers and mirrors are used to properly guide and precisely align the tip. This process is time consuming and imprecise.

Thus, there is a need to overcome these and other problems of the prior art associated with probe microscopy.

SUMMARY OF THE INVENTION

In accordance with an embodiment of the invention, provided is a microscopy probe unit. The probe unit can include a force sensor, where the force sensor can include a flexible mechanical structure separated from a detection surface by a gap and a probe tip coupled to the flexible mechanical structure.

In accordance with another embodiment of the invention, provided is a microscopy probe unit. The probe unit can include a force sensor, where the force sensor can include a flexible mechanical structure separated from a detection surface by a gap and a probe tip coupled to the flexible mechanical structure. The probe unit can also include a detector configured to detect movement of the flexible mechanical structure.

In accordance with yet another embodiment of the invention, provided is a microscopy probe unit. The probe unit can include a force sensor disposed on the substrate, where the force sensor can include a flexible mechanical structure separated from a detection surface by a gap, a grating disposed on

the detection surface, wherein the grating is configured to diffract light received from a sample, and a probe tip coupled to the flexible mechanical structure. The probe unit can also include a detector configured to detect light diffracted from the grating and a light source configured to direct light onto the grating.

In accordance with yet another embodiment of the invention, provided is a microscopy probe unit. The probe unit can include a plurality of force sensors, where each of the force sensors can include a flexible mechanical structure separated from a detection surface by a gap and a probe tip coupled to the flexible mechanical structure.

It can be understood that both the foregoing general description and the following detailed description are exemplary and explanatory only and are not restrictive of the invention, as claimed.

The accompanying drawings, which are incorporated in and constitute a part of this specification, illustrate several embodiments of the invention and together with the description, serve to explain the principles of the invention.

BRIEF DESCRIPTION OF THE DRAWINGS

FIG. 1A shows a cross-sectional schematic diagram of an exemplary force sensor in accordance with the present teachings.

FIG. 1B shows a scanning electron microscope (SEM) picture of an exemplary force sensor in accordance with the present teachings.

FIG. 1C shows a photograph of a top down view of a force sensor in accordance with the present teachings.

FIG. 1D shows a photograph of a bottom up view of a force sensor in accordance with the present teachings.

FIG. 1E shows a cross-sectional schematic diagram of another exemplary force sensor in accordance with the present teachings.

FIG. 2A shows a cross-sectional schematic diagram of another exemplary force sensor in accordance with the present teachings.

FIG. 2B shows a scanning ion beam image of another exemplary force sensor in accordance with the present teachings.

FIG. 2C shows photograph of a bottom up view of a force sensor in accordance with the present teachings.

FIG. 2D shows a scanning electron microscope (SEM) picture of a force sensor tip in accordance with the present teachings.

FIG. 3A shows a cross-sectional schematic diagram of another exemplary force sensor in accordance with the present teachings.

FIG. 3B shows a cross-sectional schematic diagram of another exemplary force sensor in accordance with the present teachings.

FIG. 4A shows a cross-sectional schematic diagram of another exemplary force sensor in accordance with the present teachings.

FIG. 4B shows a bottom up view perspective of another exemplary force sensor in accordance with the present teachings.

FIG. 4C shows a cross-sectional schematic diagram of an exemplary force sensor array in accordance with the present teachings.

FIG. 5A shows a cross-sectional schematic diagram of another exemplary force sensor in accordance with the present teachings.

FIG. 5B is a graph plotting cantilever motion versus time for an exemplary force sensor in accordance with the present teachings.

FIG. 5C is a graph plotting flexible mechanical structure grating-distance versus time for an exemplary force sensor in accordance with the present teachings.

FIG. 6 shows a partial cross-sectional schematic diagram of another exemplary force sensor in accordance with the present teachings.

FIG. 7 shows a partial cross-sectional schematic diagram of another exemplary force sensor in accordance with the present teachings.

FIG. 8A shows a cross-sectional schematic diagram of an arrangement used to monitor sensitivity of an exemplary force sensor in accordance with the present teachings.

FIG. 8B shows a graph plotting voltage output versus time for a tapping cantilever for a force sensor in accordance with the present teachings.

FIG. 8C shows a close up of a portion of the graph shown in FIG. 8B.

FIG. 9A shows a schematic diagram of another exemplary force sensor in accordance with the present teachings.

FIG. 9B shows a graph of interaction force versus time for an exemplary force sensor in accordance with the present teachings.

FIGS. 9C-9F show graphs of a flexible mechanical structure displacement versus time for an exemplary force sensor in accordance with the present teachings.

FIGS. 9G-9H show graphs of photo-detector output versus time for an exemplary force sensor in accordance with the present teachings.

FIG. 10A shows a cross-sectional schematic diagram of another exemplary force sensor in accordance with the present teachings.

FIG. 10B shows a cross-sectional schematic diagram of another exemplary force sensor in accordance with the present teachings.

FIG. 10C shows a cross-sectional schematic diagram of another exemplary force sensor in accordance with the present teachings.

FIG. 10D shows a cross-sectional schematic diagram of another exemplary force sensor in accordance with the present teachings.

FIG. 11A shows a schematic diagram of another exemplary force sensor in accordance with the present teachings.

FIG. 11B shows a schematic diagram of another exemplary force sensor in accordance with the present teachings.

FIG. 11C shows a schematic diagram of another exemplary force sensor in accordance with the present teachings.

FIG. 12 shows a schematic diagram of another exemplary force sensor in accordance with the present teachings.

FIG. 13A shows a schematic diagram of another exemplary force sensor in accordance with the present teachings.

FIG. 13B shows a cross-sectional schematic diagram of another exemplary force sensor in accordance with the present teachings.

FIG. 14 shows a schematic diagram of an exemplary AFM system in accordance with the present teachings.

FIGS. 15A-15C show graphs of interaction intensity versus time for an exemplary force sensor in accordance with the present teachings.

FIG. 16A shows a graph of interaction intensity versus time for an exemplary force sensor in accordance with the present teachings.

FIG. 16B shows a PAF image and a topography image of a sample using an exemplary force sensor in accordance with the present teachings.

FIG. 16C shows a PRF image and a topography image of a sample using an exemplary force sensor in accordance with the present teachings.

FIG. 17A shows a topographical image of a sample using an exemplary force sensor in accordance with the present teachings.

FIG. 17B shows line scans of the sample shown in FIG. 17A measured at different speeds.

FIG. 17C shows topographical image of sample in FIG. 17A made using a conventional AFM system.

FIG. 17D shows line scans of the sample shown in FIG. 17C measured at different speeds using a conventional AFM system.

FIG. 18 shows a cross-sectional schematic diagram of another exemplary force sensor in accordance with the present teachings.

FIG. 19 shows a graph plotting normalized intensity versus gap thickness using a force sensor in accordance with the present teachings.

FIG. 20A shows a graph plotting photo-detector output versus bias voltage for a force sensor in accordance with the present teachings.

FIG. 20B shows a graph plotting photo-detector output versus time for a force sensor in accordance with the present teachings.

FIG. 21 shows a cross-sectional schematic diagram of another exemplary force sensor in accordance with the present teachings.

FIG. 22 shows a cross-sectional schematic diagram of another exemplary force sensor in accordance with the present teachings.

FIG. 23A shows a graph plotting normalized intensity versus gap thickness using a force sensor in accordance with the present teachings.

FIG. 23B shows a graph plotting sensitivity versus metal thickness using a force sensor in accordance with the present teachings.

FIG. 24A shows a graph plotting detector output bias voltage using a force sensor in accordance with the present teachings.

FIG. 24B shows a graph plotting detector output bias voltage using a force sensor in accordance with the present teachings.

FIG. 24C shows a graph plotting detector output versus time.

FIG. 25 shows a graph plotting normalized intensity versus gap thickness using a force sensor in accordance with the present teachings.

FIG. 26 shows a cross-sectional schematic diagram of another exemplary force sensor in accordance with the present teachings.

FIG. 27 shows a cross-sectional schematic diagram of another exemplary force sensor in accordance with the present teachings.

FIG. 28A shows a cross-sectional schematic diagram of another exemplary force sensor in accordance with the present teachings.

FIG. 28B shows a cross-sectional schematic diagram of a portion of the force sensor shown in FIG. 28A in accordance with the present teachings.

FIG. 29A shows a cross-sectional schematic diagram of a probe unit in accordance with the present teachings.

FIG. 29B shows a cross-sectional schematic diagram of another probe unit in accordance with the present teachings.

FIG. 29C shows a cross-sectional schematic diagram of another probe unit in accordance with the present teachings.

FIG. 29D shows a schematic diagram of a probe unit in accordance with the present teachings.

FIG. 29E shows a schematic side view of a portion of a probe unit in accordance with the present teachings.

FIG. 30A shows a cross-sectional schematic diagram of another probe unit in accordance with the present teachings.

FIG. 30B shows a cross-sectional schematic diagram of another probe unit in accordance with the present teachings.

FIG. 31 shows a cross-sectional schematic diagram of another probe unit in accordance with the present teachings.

DESCRIPTION OF THE EMBODIMENTS

In the following description, reference is made to the accompanying drawings that form a part thereof, and in which is shown by way of illustration specific exemplary embodiments in which the invention may be practiced. These embodiments are described in sufficient detail to enable those skilled in the art to practice the invention and it is to be understood that other embodiments may be utilized and that changes may be made without departing from the scope of the invention. The following description is, therefore, not to be taken in a limited sense.

Notwithstanding that the numerical ranges and parameters setting forth the broad scope of the invention are approximations, the numerical values set forth in the specific examples are reported as precisely as possible. Any numerical value, however, inherently contains certain errors necessarily resulting from the standard deviation found in their respective testing measurements. Moreover, all ranges disclosed herein are to be understood to encompass any and all sub-ranges subsumed therein. For example, a range of "less than 10" can include any and all sub-ranges between (and including) the minimum value of zero and the maximum value of 10, that is, any and all sub-ranges having a minimum value of equal to or greater than zero and a maximum value of equal to or less than 10, e.g., 1 to 5.

According to various embodiments there is a force sensor for use in, for example, probe based instruments, such as probe microscopy and structure manipulation. The force sensor can comprise a detection surface, a flexible mechanical structure, and a gap between the detection surface and the flexible mechanical structure. The force sensors can also comprise a tip in contact with the flexible mechanical structure.

Force sensors described herein can eliminate the corruption of utility, such as measurement information, that can arise from a cantilever. These force sensors can also be used as actuators to apply known forces, providing clean and valuable elasticity information data on surfaces, biomolecules, and other materials. Moreover, these force sensors can be integrated on cantilevers and can be compatible with existing AFM systems while providing accurate tip displacement and also act as "active tips".

According to various embodiments, a displacement measurement can be made using a flexible mechanical structure, such as a membrane, a diaphragm, a cantilever, a clamped-clamped beam, a flexible structure comprising multiple flexible elements partially or totally fixed at one end on a substantially rigid surface and connected at a point so as to form a symmetry axis. These flexible mechanical structures can be micro-machined. These flexible mechanical structures can have uniform or non-uniform cross sections to achieve desired static and dynamic deflection characteristics. For example, the vibration modes that are symmetric and anti-symmetric with respect to the symmetry axis can be used to detect forces in different directions. These flexible mechani-

cal structures can be made of metals such as gold, aluminum, or a semiconductor such as single crystal silicon or polycrystalline silicon, or dielectric materials such as silicon nitride, silicon oxide, or a polymer such as SU-8, or they can be a composite structure of metallic, semiconducting, polymer, or dielectric materials. While not intending to be so limited, measurements can be made to detect, for example: localized forces, such as, a force experienced by a tip contacting the flexible mechanical structure; surface topography using for example, a flexible mechanical structure with an integrated tip contacting a surface; a flexible mechanical structure with an integrated tip in close proximity of a surface or substance; and forces between a reactive substance, such as a molecule, bound to the flexible mechanical structure and another reactive substance, such as a molecule, bound on a close by structure such as a tip.

According to various embodiments, the detection surface can be a surface of a rigid substrate, or a part of a rigid substrate, with an optically reflective diffraction grating, a part of a rigid substrate with a reflective and/or electrically conductive diffraction grating for optical interferometric detection and electrostatic actuation, a part of a rigid substrate with electrically conductive members for electrostatic actuation and capacitive detection, a surface of a rigid substrate with a semi-transparent layer for optical interferometry. In some cases the detection surface can be a surface of a deformable mechanical structure such as a membrane, clamped-clamped beam or a cantilever. The rigidity of the mechanical structure with the detection surface can be substantially higher than the flexible mechanical structure of the force sensor. The detection surface can contain conductive and dielectric portions to have electrical isolation between actuation and detection electrodes. In some cases, the deformable detection surface can be actuated and therefore it can contain a separate electrode or piezoelectric film for actuation purposes. Still further, in some cases the detection surface can form a substrate.

According to various embodiments, displacement can be measured using interferometric techniques or capacitive techniques. For example, a grating, such as that used in a diffraction based optical interferometric method or any other optical interferometric method such as, for example, Fabry-Perot structures, an example of which is described in U.S. patent application Ser. No. 10/704,932, filed Nov. 10, 2003, which is incorporated herein by reference in its entirety, can be used. Capacitive measurements can use techniques used to monitor capacitance, such as that used in capacitive microphones.

The flexible mechanical structure dimensions and materials can be adjusted to have desired compliance and measurement capabilities to make static and dynamic measurements with sufficient bandwidth. The overall shape of the flexible mechanical structure can be circular, square, or any other suitable shape. Typical lateral dimensions can be from 10 μm to 2 mm, flexible mechanical structure thickness can be from 10 nm to 3 μm , and the gap can be from 1 nm to 10 μm . In some embodiments the gap can be as large as 1 mm. The flexible mechanical structure material can comprise, for example, aluminum, gold, silicon nitride, silicon, silicon oxide, or polysilicon or can be a composite structure of metallic, semiconducting, and dielectric materials. The gap can be sealed or partially sealed for applications in liquids, or it can be open for vacuum and atmospheric measurements.

For some force measurements, a soft cantilever may not be required. Using the output from the force sensors in a feedback loop, one can use an external actuator to individually adjust the tip-flexible mechanical structure, tip-sample dis-

stances. According to various embodiments, the flexible mechanical structure can be electrostatically actuated to apply desired forces. According to various embodiments, force sensors described herein can be attached to a cantilever to form a force sensor structure. Further, the force sensor structure can be combined with a detector to form a force sensor unit that can be used in a probe based instrument.

FIG. 1A shows a cross-sectional schematic diagram of an exemplary force sensor **100** in accordance with the present teachings. The force sensor **100** comprises a detection surface **102** and a flexible mechanical structure **104**. The flexible mechanical structure **104** can be disposed distance (D) above the detection surface so as to form a gap **105** between the flexible mechanical structure **104** and the detection surface **102**. The flexible mechanical structure can be configured to move to a new position **104'** upon exposure to an external stimuli **114**, such as a force. Moreover, the force sensor **100** can include elements configured to detect changes in the distance (D). Still further, the force sensor **100** can be actuated to affect the distance (D) using, for example, bottom electrode **106**, such as a grating, and a top electrode **116**, both of which are described in more detail below.

The detection surface **102** can be made of a material transparent to predetermined wavelengths of light. For example, the detection surface can be made from silicon oxide, such as quartz. The overall shape of the flexible mechanical structure **104** can be circular, square, or any other suitable shape. Typical diameters of flexible mechanical structure **104** can range from 5 μm to 2 mm and the thickness of flexible mechanical structure **104** can be from 10 nm to 10 μm . The flexible mechanical structure can be a micro-machined material that can comprise, for example, aluminum, gold, silicon nitride, silicon oxide, or polysilicon.

According to various embodiments, the distance (D) of gap **105** can be from 50 nm to 50 μm . Moreover, the gap **105** can be sealed for applications in liquids, or it can be open for vacuum and atmospheric measurements. In some embodiments, the gap can be formed by the flexible mechanical structure can be supported over the detection surface by at least one sidewall. Movement of the flexible mechanical structure, or displacement measurements, can be made, for example using a grating as described below, that uses a diffraction based optical interferometric method or any other optical interferometric method or a capacitive method, such as in that used in capacitive microphones can be used for detection. According to various embodiments, grating periods of the grating **106** can range from about 0.5 μm to about 20 μm . The incident light can be from the UV (with wavelengths starting at about 0.2 μm) to IR (with wavelengths starting at about 1.5 μm).

FIGS. 1B-1D show various perspective views of exemplary force sensors. For example, FIG. 1B shows a view using a scanning electron microscope (SEM) of the sensor **100**. FIG. 1B is a top down photographic view of the force sensor **100** and shows flexible mechanical structure **104**. FIG. 1D is a photographic view of the force sensor **100** as seen by passing light through the transparent detection surface **102** and shows grating **106** positioned under the flexible mechanical structure **104**.

According to various embodiments, the force sensor **100** can also include a grating **106**, as shown in FIG. 1E. In FIG. 1E, a beam of light **110** can be directed through the detection surface **102** to impinge on the flexible mechanical structure **104** and the grating **106**. According to various embodiments, the beam of light can be directed at the detection surface **102** at an angle, such as, in the range of, for example $\pm 10^\circ$ away from normal to the detection surface **102**. A portion of the

flexible mechanical structure **104** can be reflective such that light **110** can be reflected from the flexible mechanical structure **104** and another portion can be reflected by the grating **106**. As a result, different diffraction orders with different intensity levels can be generated as the light passes through the grating **106** depending on the gap thickness.

For example, FIG. 1A shows first diffraction order light **112** reflected from the grating **106** and the flexible mechanical structure **104**. The diffracted light **112** can be detected by a detector **108**. It is to be understood that alternatively, the detectors can be used to detect changes in capacitance due to changes in the gap **105**.

As shown in FIG. 1E, a stimuli **114**, such as a force, can be applied to the flexible mechanical structure **104**. The stimuli **114** causes the flexible mechanical structure **104** to bend, or flex, shown as **104'**. According to various embodiments, the flexible mechanical structure **104** can bend in various directions, such as toward the detection surface **102** or away from the detection surface **102**. Bending the flexible mechanical structure **104** causes the thickness (D) of the gap **105** shown in FIG. 1A to change.

When using a beam of light, the light **110** is reflected in a different direction when the flexible mechanical structure is in the bent position **104'** than when the flexible mechanical structure is in the rest position **104**. Further, light **110** reflected from the bent flexible mechanical structure **104'** interacts differently with the grating **106** to produce changes in the intensity of different diffraction orders, shown in FIG. 1E as **112a-112c**. The detectors **108** can then detect the intensity of the diffracted light output from the grating **106**. This provides a robust, micro-scale interferometer structure. Generally, information obtained from the detectors **108** can be used to determine the stimuli **114**, such as the amount of force, applied to the flexible mechanical structure **104**. This determination can be done using a computer processor (not shown) or other various techniques as will be known to one of ordinary skill in the art. Also shown in FIG. 1E is a top electrode **116** that can cooperate with, for example grating **106**, to serve as an actuator, as will be described in detail below.

According to various embodiments the detector **108** can be a photo-detector, such as a silicon photodiode operated in photovoltaic or reverse biased mode or another type of photo-detector sensitive in the wavelength range of the light source. Moreover, the light **110** can be a coherent light source such as a laser. Exemplary light sources can include, but are not limited to, helium neon type gas lasers, semiconductor laser diodes, vertical cavity surface emitting lasers, light emitting diodes.

FIG. 2A shows a cross-sectional schematic diagram of another exemplary force sensor **200** in accordance with the present teachings. The force sensor **200** comprises a detection surface **202**, a flexible mechanical structure **204**, a grating **206**, and a tip **207**. In some embodiments, the force sensor **200** can also include a top electrode **216**. Moreover, the grating **206** can be covered with dielectric layer to prevent electrical shorting in case of flexible mechanical structure collapse.

Generally, the force sensor **200** can be used to manipulate structures, such as atoms, molecules, or microelectromechanical systems (MEMs) or to characterize various material properties of a sample **218**. For example, the topography of the sample **218** can be determined by moving the sample **218** in a lateral direction across the tip **207**. It is also contemplated that the sample **218** can remain stationary and the tip **207** can be moved relative to the sample **218**. Changes in height of the sample **218** are detected and cause the tip **207** to move accord-

ingly. The force on the tip **207** caused by, for example the tip motion, can cause the flexible mechanical structure **204** to bend, or flex as shown by **204'**. Light **210** can also be directed through detection surface **202** to impinge on the flexible mechanical structure **204**. The light **210** is reflected from the flexible mechanical structure and diffracted by the grating **206**. As the tip **207** applies force to the flexible mechanical structure, the thickness of the gap **205** changes. This can cause the reflected light to diffract differently than if the flexible mechanical structure were in its un-bent position. Thus, different diffraction orders intensity can change depending on the gap thickness.

After passing through the grating **206** the diffracted light **212a-c** can be detected by the detectors **208**. The output from the flexible mechanical structure **204** can be used in a feedback loop to direct an external actuator (not shown) to adjust the tip-flexible mechanical structure distance (i.e., the gap thickness), and thus the tip-sample distance (d). The flexible mechanical structure **204** can be electrostatically actuated to apply desired forces or to adjust the tip-flexible mechanical structure distance (i.e., the gap thickness), and thus the tip-sample distance (d) by biasing electrodes **220a** and **220b** attached to the grating **206** and the top electrode **216**, respectively. Although two detectors are shown in FIG. 2A, one of ordinary skill in the art understands that one or more detectors can be used.

According to various embodiments, the force sensor **200** can form an integrated phase-sensitive diffraction grating structure that can measure the flexible mechanical structure **204** and/or tip **207** displacement with the sensitivity of a Michelson interferometer. The displacement of the tip **207** due to stimuli acting on it can be monitored by illuminating the diffraction grating **206** through the transparent detection surface **202** with a coherent light source **210** and the intensity of the reflected diffraction orders **212a-c** can be recorded by the detectors **208** at fixed locations. The resulting interference curve is typically periodic with $\lambda/2$, where λ is the optical wavelength in air. According to an exemplary embodiment, the displacement detection can be within the range of about $\lambda/4$ (167.5 nm for $\lambda=670$ nm) in the case of a fixed grating **206**. However, the detection surface **202** and the grating **206** can be moved by suitable actuators to extend this imaging range. Furthermore, the grating **206** can be located not at the center but closer to the clamped edges of the flexible mechanical structure to increase the equivalent detectable tip motion range. In the case of a microscope, the "active" tip can be moved by electrostatic forces applied to the flexible mechanical structure **204** using the diffraction grating **206** as an integrated rigid actuator electrode. In some applications, this actuator can be used to adjust the tip **207** position for optimal displacement sensitivity to provide a force feedback signal to an external actuator moving the transparent detection surface **202**.

In some embodiments, such as applications requiring high speeds, this integrated actuator can be used as the only actuator in the feedback loop to move the tip **207** with a speed determined by the flexible mechanical structure **204** dynamics both in liquids and in air.

FIG. 2B shows a focused ion beam (FIB) micrograph of a force sensor **250** according to an exemplary embodiment. In the embodiment shown in FIG. 2B, the flexible mechanical structure **254** is 0.9 μm thick and is made from aluminum. Moreover, the flexible mechanical structure **254** is 150 μm in diameter and it can be formed by sputter deposition on a 0.5 mm thick quartz substrate over a 1.4 μm thick photoresist sacrificial layer. FIG. 2C shows the optical micrograph of the flexible mechanical structure **254** from the backside as seen

through the substrate **252**. The grating **256** and the electrical connections **270** can be seen as well as the darker spot at the position of the tip **257** at the middle of the flexible mechanical structure **254**. In FIG. 2B, the 90 nm thick aluminum grating **256** can be formed by evaporation over a 30 nm thick titanium or titanium nitride adhesion layer and then patterned to have 4 μm grating period with 50% fill factor. A 220 nm thick oxide-layer can be deposited over the grating, **256** using plasma enhanced chemical vapor deposition. In this case, the subsequent flexible mechanical structure stiffness was measured to be approximately 133 N/m using a calibrated AFM cantilever and the electrostatic actuation range was approximately 470 nm before collapse. The tip **257** was fabricated out of platinum using an FIB. The process involved ion beam assisted chemical vapor deposition of platinum using methyl platinum gas where molecules adsorb on the surface but only decompose where the ion beam interacts. The tip **257**, with a radius of curvatures down to 50 nm on the aluminum flexible mechanical structures **254**, were fabricated with this method. An SEM micrograph of a typical tip with 70 nm radius of curvature is shown in FIG. 2D.

According to various embodiments, the force sensor **200** can have a compact integrated electrostatic actuator, where the electric field between the grating electrode **206** and the top electrode **216** is contained within the gap **205**. This structure can be replicated to form planar arrays of sensors, as described in more detail below, with good electrical and mechanical isolation. With a suitable set of flexible mechanical structure and electrode materials, the device can be operated in a dielectric or conductive fluid. According to various embodiments, the electrostatic forces may act only on the probe flexible mechanical structure **204**. As such, the actuation speed can be quite fast. Therefore, combined with array operations, the force sensor can be used in probe applications that call for high speeds.

FIG. 3A depicts a schematic diagram of another exemplary force sensor **300** and FIG. 3B depicts a schematic diagram of multiple force sensors **300** working in concert in accordance with the present teachings. The embodiments shown in FIGS. 3A and 3B can be used as force sensors for parallel force measurements, such as in the case of biomolecular mechanics. The force sensors **300** shown in FIGS. 3A and 3B can comprise a detection surface **302** and a flexible mechanical structure **304**. The force sensor **300** can also comprise a grating **306** and a tip **307** positioned above the flexible mechanical structure **304**. According to various embodiments reactive substances, such as molecules, including biomolecules, labeled **318a** and **318b** in FIGS. 3A and 3B can be attached to flexible mechanical structure **304** and tip **307**, respectively. In some embodiments, the force sensors **300** can also include a top electrode **316**. FIG. 3B shows the force sensors **300** in contact with a single detection surface **302**. However, in some cases more than one force sensor **300** can contact a separate detection surface so as to be controlled separately.

The force sensors **300** can be used to characterize various material properties of the reactive substance. For example, biomolecular bonding can be determined by moving the tip **307** contacted by a reactive substance, including, for example, inorganic molecules and/or organic molecules, such as biomolecules, over the force sensors **300**. It is also contemplated that the tip **307** can remain stationary and the force sensors **300** can be moved relative to the tip **307**. The reactive substance on the flexible mechanical structure **304** can be attracted to the reactive substance on the tip **307**. A stimuli **319**, such as a force, light, or temperature, on, for example, the force sensor **300** or the tip **307** caused by, for example the

molecular attraction, a light source, or a temperature source, can cause the flexible mechanical structure **304** to bend, or flex as shown by **304'**. Light **310** can also be directed through detection surface **302** to impinge on the flexible mechanical structure. The light **310** is reflected from the flexible mechanical structure and then diffracted by the grating **306**. As the stimuli displaces the flexible mechanical structure, the thickness of the gap **305** changes. This can cause the reflected light to diffract differently than if the flexible mechanical structure were in its un-bent position. Thus, different diffraction order intensities can be generated as the light passes through the grating **306** depending on the gap thickness. After passing through the grating **306** the diffracted light **312a-c** can be detected by the detectors **308**. The output from the flexible mechanical structure **304** can be used in a feedback loop to direct an external actuator (not shown) to adjust the tip-flexible mechanical structure distance (i.e., the gap thickness), and thus the tip-sample distance (d). According to various embodiments, the flexible mechanical structure **304** can be electrostatically actuated to apply desired forces by biasing electrodes **320a** and **320b** attached to the grating **306** and the top electrode **316**, respectively.

By using a variety of techniques disclosed herein, displacements from 1 mm down to 1×10^{-6} $\text{\AA}/\sqrt{\text{Hz}}$ or lower can be measured. As such, forces from 1N down to 1 pN can be detected with 10 kHz bandwidth. With an effective spring constant of the sensor flexible mechanical structure from about 0.001N/m to about 1000N/m at its softest point. These mechanical parameters can be achieved by micro-machined flexible mechanical structures, such as MEMs microphone flexible mechanical structures. Therefore, using flexible mechanical structure surfaces and tips functionalized by interacting reactive substances, as shown in FIGS. 3A and 3B, force spectroscopy measurements can be performed in parallel using optical or electrostatic readout.

For example, in the case of rupture force measurements, the reactive substance, such as a molecule, is pulled and if the bond is intact, the flexible mechanical structure is also pulled out while the displacement, i.e., applied force, is measured. With the bond rupture, the flexible mechanical structure comes back to rest position. The force sensor flexible mechanical structures can be individually actuated to apply pulling forces to individual molecules and measuring their extensions allowing for array operation.

FIGS. 4A-4C depict perspective views of exemplary embodiments in accordance with the present teachings. FIG. 4A depicts a cross-sectional schematic diagram and FIG. 4B depicts a view of the top of a force sensor structure **400**. The force sensor structure **400** can include a cantilever **422**, such as that used in AFM, and a force sensor **401** positioned on the free end of the cantilever **422**. The force sensor **401** can comprise a detection surface **402**, a flexible mechanical structure **404**, a gap **405**, grating **406**, a tip **407**, and a top electrode **416**. Further, the cantilever **422** can be transparent to allow for optical readout of the deflection of the flexible mechanical structure, which has an integrated tip for imaging. The cantilever **422** can be made of materials similar to those of the detection surface material, described above. Indeed, in some embodiments, the cantilever **422** itself can comprise the detection surface **402**. Alternatively, the detection surface can be a substrate formed on the cantilever. In some embodiments the cantilever **422** can also include a reflector **424**.

The cantilever **422** can be used to provide periodic tapping impact force for tapping mode imaging to apply controlled forces for contact mode or molecular pulling experiments. Because the flexible mechanical-structure **404** can be stiffer than the cantilever **422** and can be damped by immersion in a

liquid, the measurement bandwidth can be much larger than the cantilever **422**. Furthermore, optical readout of the diffraction orders can directly provide tip displacement because the diffraction orders can be generated by the grating **406** under the flexible mechanical structure **404**.

According to various embodiments, the reflector **424** can be used to beam bounce to find cantilever deflection for feedback, if needed. In some cases, the tip-force sensor output can provide the real force feedback signal. The cantilever **422** and the flexible mechanical structure **404** dimensions can be adjusted for the measurement speed and force requirements.

FIG. **4C** depicts a cross-sectional schematic diagram of another exemplary force sensor **401a** in accordance with the present teachings. The force sensor **401a** is similar to the force sensor **401** but includes a thicker base region **403** of the detection surface **402**. Also shown in FIG. **4C** are electrical connections **420a** and **420b** that contact the grating **406** and the top electrode **416**, respectively. The electrical connections can be used to provide electrostatic actuation or capacitive detection.

FIG. **5A** shows an embodiment of a force sensor structure **500** according to the present teaching for tapping mode imaging. In addition to topography, tapping mode can also provide material property imaging and measurement if the tip-sample interaction forces can be accurately measured. The disclosed force sensor structure solves a significant problem for this mode of operation. For example, when the cantilever is vibrated using a sinusoidal drive signal, shown in FIG. **5B**, and it is brought to a certain distance to the surface, the tip starts to contact the surface during a short period of each cycle, as shown in FIG. **5C**. While the oscillation amplitude is kept constant for topography information, the contact force i.e., the tip-sample interaction force and duration can be related to the material properties of the sample and adhesion forces. With a regular cantilever, the deflection signal can be dominated by the vibration modes of the signal, which can significantly attenuate the information in the harmonics. According to various embodiments, the transient force that the tip **507** or the sample **518** experiences at each tap can be measured. Because the force sensors disclosed herein can directly measure the flexible mechanical structure/tip displacement directly using optical interferometry or capacitive measurement, this transient force signal can be obtained. By designing the flexible mechanical structure stiffness, broadband response is possible and short transient force signals can be measured. This situation can be valid in both air and liquids, as the information is independent of the cantilever vibration spectrum.

Using electrically isolated electrodes, the flexible mechanical structure can be actuated so as to have an "active tip". Further the actuated flexible mechanical structure can optimize the optical detection or capacitive detection sensitivity in air or in liquid environments. FIG. **6** shows an application of a force sensor structure **600** comprising a sensor **601** on a cantilever **622** where the tip **607** is active, as shown by arrow **623**. In FIG. **6**, the active tip **607** can be used to apply known forces to the surface of sample **618** using electrostatic actuation and optical interferometric displacement detection or capacitive displacement detection can be achieved. The tip **607** can be activated, for example, by applying a bias between the grating **606** and the top electrode **616**. Further, a DC force, shown by arrow **626**, can be used to keep the tip **607** in constant contact with the sample.

Light **610** can be directed to the flexible mechanical structure **604** and the orders **612a-c** of light diffracted by the grating **606** can be detected by the detector **608**. Similar to the force sensor **401a** shown in FIG. **4C**, designing the dimen-

sions of the flexible mechanical structure base **603**, or choosing the operation frequency at an anti-resonance of the cantilever, the flexible mechanical structure **604** can be moved, and hence the tip **607** can be pushed into the sample **618** by known electrostatic forces. Accordingly, displacements of the flexible mechanical structure **604** can be measured optically or capacitively. Furthermore, in some embodiments there is no need for an active tip on the force sensor. Moreover for optical measurements, the gap between the flexible mechanical structure and the grating can be optimized during fabrication of the force sensor. Thus, there is no need to actively adjust that gap during tapping mode operation as shown in FIG. **6**. Similarly for capacitive detection, an electrical connection for detection of capacitance changes can be provided. In that case, the force sensor **601** can be connected to a detection circuit such as used in a capacitive microphone for measuring the force on the tip **607**.

The thickness of the base **603** (or the substrate) supporting the flexible mechanical structure **604** can be adjusted to control the operation frequency to insure that the motion of the flexible mechanical structure **604** produces an indentation in the sample surface. This measurement, therefore, provides surface elasticity information directly. According to various embodiments, the frequency of electrostatic actuation can be in the ultrasonic range. Alternatively, a wideband impulse force can be applied and resulting displacements can be detected in the bandwidth of the flexible mechanical structure displacement force sensor. For these applications, it may be desirable to move the higher cantilever vibration mode frequencies away from the first resonance. This can be achieved, for example, by increasing the mass close to the tip of the cantilever, such as by adjusting the thickness, or mass of the base **603**. With added mass, the cantilever acts more like a single mode mass spring system and can generate tapping signals without spurious vibrations and can also be effective at a broad range of frequencies.

In general, for tapping mode AFM and UAFM applications a broadband, stiff tip displacement measurement sensor/structure can be integrated into compliant structures, such as regular AFM cantilevers. Although flexible mechanical structures are primarily described here, according to another embodiment, the tip displacement measurement structure can be a stiff beam structure with the same cross-section of the flexible mechanical structure or another stiff cantilever, as shown, for example, in FIG. **7**. In FIG. **7**, there is a force sensor structure **700**, comprising a force sensor **701**, a compliant structure **722**, a tip **707**, and a flexible mechanical structure **728** such as a stiff broadband structure. In this case, the stiff broadband structure **728** can be small cantilever mounted to an end of the compliant structure **722**, also a cantilever. The small cantilever **728** can be spaced a distance (d) from the compliant structure **722**. The compliant structure **722** can be used to control the impact and/or contact force of the tip **707** mounted to a side of the stiff broadband structure **728**. Further, the stiff broadband structure **728** can be used to measure tip displacements. Displacement of the tip **707** can be measured, for example, optically, electrostatically, capacitively, piezoelectrically or piezoresistively.

According to various embodiments, for fast imaging and tapping mode applications, the cantilever can be eliminated. In this case, a fast x-y scan of a sample or the integrated tip can be used with the described sensor/actuator for tapping and detecting forces. The large, fast z-axis motion can be generated, for example, by a piezoelectric actuator that moves the base of the force sensor, which can be a thick, rigid substrate.

The sensitivity of a force sensor in accordance with the present teachings can be described by the following exem-

plary embodiment, depicted in FIG. 8A. In FIG. 8A, a rectangular silicon AFM cantilever **822** with a tip **807** is vibrated at 57 kHz above a 150 μm diameter, ~ 1 μm thick aluminum flexible mechanical structure **804** with an integrated diffraction grating **806**. The force sensor **800** flexible mechanical structure **804** is built on a quartz detection surface or substrate **802**. A DC bias of 37V is applied to move the flexible mechanical structure **804** to a position of optimal detection sensitivity and the vibrating tip **807** is brought close enough to have tapping mode-like operation with intermittent contact. Diffraction order **812** can be detected by detector **808** when a beam **810** is diffracted by grating **806** upon exiting force sensor **800**.

The single shot signals collected at this position are shown at the top two rows (Row **1** and Row **2**) of the four rows of the graph in FIG. 8B. The bottom graph, in FIG. 8C, shows a zoomed in version of Row **2** of individual taps, where the transient displacement of the flexible mechanical structure due to impact of the tip is clearly seen. If the flexible mechanical structure material were softer or there were a compliant coating on the flexible mechanical structure **804**, the measured tap signals would be longer in duration and smaller in amplitude because the tip **807** would spend more time indenting the softer surface. While transmitting less force to the flexible mechanical structure **804**. Therefore, the tapping force measurement provides elasticity information and this embodiment can be used as a material property sensor for a thin film coating on the flexible mechanical structure.

In addition, when the tip **807** leaves contact, the flexible mechanical structure **804** is pulled away due to adhesion or capillary forces, permitting force spectroscopy measurement methods. When the tip **807** is moved progressively closer, it is in contact with the flexible mechanical structure **804** for a longer duration of each cycle and finally it pushes the flexible mechanical structure **804** down during the whole cycle. Thus, the simple force sensing structures disclosed herein provide information not available by conventional AFM methods and result in more effective tools for force spectroscopy applications.

The sensitivity of another force sensor in accordance with the present teaching can be described by the following exemplary embodiment, depicted in FIGS. 9A-9H. As shown in FIG. 9A, a quartz substrate **902** with a sensor flexible mechanical structure **904** is placed on a piezoelectric stack transducer **927**, which can be used to approach to the tip **907** and obtain force distance curves. The flexible mechanical structure **904** is aluminum and can be 150 μm in diameter, 1 μm thick, and located over a 2 μm gap **905** above the rigid diffraction grating electrode **906**. In this case, the grating period is 4 μm . The gap **905** is open to air through several sacrificial layer etch holes (not shown). The grating **906** can be illuminated through the quartz substrate **902** using, for example, a HeNe laser ($\lambda=632$ nm) at a 5° angle away from normal to the substrate. The output optical signal can be obtained by recording the intensity of the 1st diffraction order beam **912b**.

For measuring the AFM dynamic tip-sample interaction forces, the cantilever **922** can be glued on a piezoelectric AC drive transducer **926** that can drive the cantilever **922** at its resonant frequency. The flexible mechanical structure **904**, with a stiffness of approximately 76N/m as measured at the center using a calibrated AFM cantilever **922**, can be used. The DC bias on the flexible mechanical structure **904** is adjusted to 27V to optimize the optical detection, and the sensitivity is calibrated as 16 mV/nm by contacting the flexible mechanical structure **904** with a calibrated AFM cantilever **922** and a calibrated piezo driver. In this case, the broad-

band RMS noise level of the system was about 3 mV (0.18 nm) without much effort to reduce mechanical, laser, or electrical noise.

A force curve can be produced by moving the piezoelectric stack **927** supporting the substrate **902** with a 20 Hz, 850 nm triangular signal and making sure that there is tip-flexible mechanical structure contact during a portion of the signal period. The cantilever **922** can be, for example, a FESP from Veeco Metrology, Santa Barbara, Calif., with $k=2.8\text{N/m}$.

FIG. 9B shows a force curve **950** where the inset drawings (i)-(v) indicate the shape of the cantilever **922** and flexible mechanical structure **904**, and the hollow arrow indicates the direction of motion of the piezo stack **927** and the quartz substrate **902**. Moreover, the inset drawings (i)-(v) correspond to sections (a)-(e), respectively, of the curve **950**. Before measurement, the flexible mechanical structure **904** is at rest, as seen in insert (i) and section (a). Tip-flexible mechanical structure contact happens starting in section (b) at around 3 ms and the tip bends the flexible mechanical structure **904** downwards, as shown in insert drawings (ii) and (iii). Tip-flexible mechanical structure contact continues through section (c) until about 26 ms, which is in section (d). The piezoelectric motion is reversed starting at section (c). Section (d) shows that attractive forces due to adhesion pulls the flexible mechanical structure **904** up, as seen in insert (iv), for 2 ms and then the flexible mechanical structure **904** moves back to its rest position, as seen in insert (v) after a 180 nN jump at the end of the retract section. Curve **950** in section (e) shows the rest position.

For direct observation of time resolved dynamic interaction forces along the force curve, a similar experiment can be performed while the cantilever **922** is driven into oscillation by applying a sinusoidal signal to the AC drive piezo **926** at 67.3 kHz. The single shot, transient flexible mechanical structure displacement signal **960** obtained during a cycle of the 20 Hz drive signal is shown in FIG. 9C. Dynamic interaction force measurements provide various types of information, as indicated by the various interaction regimes (A)-(C) during the measurement. The data of FIG. 9C is shown expanded in FIGS. 9D-F in the initial tapping region (A), intermittent to continuous contact region (B), and continuous to intermittent contact transition region (C), respectively.

Starting from the left, the cantilever tip **907** is first out of contact with the flexible mechanical structure **904**. At around 1 ms it starts intermittent contact (tapping) with the flexible mechanical structure **904** as individual taps are detected, as shown in FIG. 9D. As the cantilever **922** gets closer to the flexible mechanical structure **904**, the pulses become unipolar and the distortion is more severe as there are double peaked tap signals when the cantilever **922** gets into contact due to non-linear interaction forces, as shown FIG. 9E. When the tip **907** is in continuous contact, which happens around 4.2 ms, the displacement signal has the periodicity of the drive signal in addition to distortion that can be caused by contact non-linearities and higher order vibration modes of the cantilever **922** with its tip **907** hinged on the flexible mechanical structure **904**. Similarly, around 15 ms, the cantilever **922** starts breaking off the flexible mechanical structure surface and tapping resumes, as shown in FIG. 9F. Between 7 ms and 12 ms the curve is not linear.

Individual tapping signals can be filtered by the dynamic response of the flexible mechanical structure **904**. In this example, the force sensor was not optimized and the flexible mechanical structure **904** acted as a lightly damped resonator with a resonant frequency at 620 kHz rather than having broadband frequency response that is ideal for fast interaction force measurements. Nevertheless, the transfer function of

the flexible mechanical structure **904** can be obtained using, for example, integrated electrostatic actuators, as described herein.

Still further, FIG. **9G** shows the measured temporal response of the flexible mechanical structure **904** when a 2V square pulse 100 ns in length is applied in addition to the 27V DC bias at the actuator terminals. Comparing the trace waveform in FIG. **9G** with averaged data from individual tap signals shown in FIG. **9H**, it can be seen that the stiff cantilever tap is nearly an impulsive force, which can be recovered by inverse filtering.

Thus, according to various embodiments, minimum displacement detection levels down to 10^{-4} Å/√Hz can be measured and mechanical structures with spring constants in the 0.001 to 10 N/m range can be built that can monitor force levels in the pico-Newton range. These sensitivity levels can make it useful for a wide range of probe microscopy applications including quantitative interaction force measurements, fast imaging in liquids and in air, and probe arrays for imaging, lithography, and single molecule force spectroscopy.

While FIGS. **8A-9H** are examples of sensitivity testing made by applying a force from a tip to the force sensor, similar sensitivities can be achieved when a tip is mounted to the force sensor and the force sensor is used to characterize a sample.

FIG. **10A** depicts a cross-sectional schematic diagram of another exemplary force sensor **1000** in accordance with the present teachings. The sensor **1000** can comprise a substrate **1002**, a flexible mechanical structure **1004**, a gap **1005**, a tip **1007**, a plurality of separate top electrodes, such as electrodes **1016a-c**, and a bottom electrode **1030**. The force sensor **1000** substrate **1002** can be positioned at an end of a cantilever **1022**. According to various embodiments, the flexible mechanical structure **1004** can be fully clamped around its circumference as described above and shown in FIG. **10A**. Alternatively, the flexible mechanical structure **1004** can be a clamped-clamped beam with a rectangular or H-shape, as shown in FIGS. **10B** and **10C**, respectively, where the short edges **1040** at the ends are clamped. Still further, the flexible mechanical structure **1004** can be a cantilever structure or a similar structure that changes shape in a predictable manner in response to a force applied to the tip **1007**, as shown in FIG. **10D**.

Each of the plurality of separate top electrodes **1016a-c** can be electrically isolated and formed in the flexible mechanical structure **1004**. Moreover, the bottom electrode **1030** can be spaced apart from the separate top electrodes **1016a-c** by the gap **1005**. Further, the bottom electrode can be positioned in the substrate **1002** and can be contacted by electrode terminals **1020d**. Similarly, each of the separate top electrodes **1016a-c** can be contacted by electrode terminals **1020a-c**. In some cases, the electrode terminals **1020a-c** and **1020d** can be capacitive sensing terminals that can detect a capacitance change formed between the separate top electrodes **1016a-c** and the bottom electrode **1030**.

In FIG. **1A**, a voltage can be applied between the electrode terminals **1020a-c** and **1020d**. The voltage can be used to independently control and move any of the separate top electrodes **1016a-c**, so that they can serve as actuators. Further, the separate top electrodes **1016a-c** can also perform sensing, similar to that of a dual electrode capacitive micromachined ultrasonic transducer where the vibrations of the sensor flexible mechanical structure are converted to electrical current signals through change in capacitance.

For example, the force sensor **1000** can be used for fast imaging where bias voltages are applied between the electrode terminals **1020a**, **1020c** and the bottom electrode ter-

minal **1020d** and alternating voltages of the same or reverse phase are applied to the electrode terminals **1020a** and **1020c** to vibrate the tip **1007** vertically or laterally to have intermittent contact with a sample surface. In some cases, the forces between the tip **1007** and a close by surface can be sensed without contact for non-contact imaging. The bias voltages applied to the electrode terminals **1020a**, **1020c** also control the position of the tip **1007** in response to changes in capacitance detected between the electrode terminals **1020b** and the bottom electrode terminal **1020d**. An external controller (not shown) can read the detected capacitance change and generate the control signals (bias voltages) applied to the electrode terminals **1020a**, **1020c** and the bottom electrode terminal **1020d**.

FIG. **11A** depicts a cross-sectional schematic diagram of another exemplary force sensor unit **1100** in accordance with the present teachings. The force sensor unit **1100** can comprise a force sensor **1101**, a detection surface **1102**, a flexible mechanical structure **1104**, a gap **1105**, a tip **1107**, a plurality of separate top electrodes, such as electrodes **1116a-c**, a plurality of gratings, such as first grating **1106a** and second grating **1106b**, at least one detector **1108**, and a cantilever **1122**. The first grating **1106a** can have a different grating spacing than the grating spacing of **1106b**. Furthermore, the first grating **1106a** can have a different orientation as compared to the grating **1106b**. It is to be understood that other force sensor embodiments described herein can also comprise multiple gratings.

The detection surface **1102** can be positioned at a free end of the cantilever **1122**. Moreover, the flexible mechanical structure **1104** can be fully clamped around its circumference, it can be a clamped-clamped beam with a rectangular or H shape where the short edges at the ends are clamped, or it can be a cantilever structure or a similar structure that changes shape in a predictable manner in response to a force applied to the tip **1007**.

The force sensor **1101** shown in FIG. **11A** can be used for lateral force or friction measurements. For example, force sensor **1101** can be used to sense torsion created on the flexible mechanical structure, shown as **1104'**. Separate top electrodes **1116a-c** can be positioned on the flexible mechanical structure **1104** to excite the torsional motion or resonances. Similarly, the flexible mechanical structure **1104** can be bent asymmetrically, shown as **1104'**, due to torsion created by the tip **1107** or due to out of phase actuation from the first grating **1106a**, the second grating **1106b**, and the top electrodes **1116a-c** acting as electrostatic actuators. In particular, a voltage can be applied to the electrical contacts **1120a** and **1120b** that contact the first grating **1106a** and the top electrode **1116a**, respectively. The same voltage can be applied to the electrical contacts **1120c** and **1120d** that contact the second grating **1106b** and the a top electrode **1116c**, respectively. Applying this same voltage can cause the flexible mechanical structure **1104** to bend up and down. In contrast, similarly applying a differential voltage can cause torsion of the flexible mechanical structure **1104**.

A light beam **1110** can be directed through the detection surface **1102** to impinge on the flexible mechanical structure **1104**. The beam **1110** reflects off of the flexible mechanical structure **1104**, a portion of which can be reflective, and is diffracted differently by the first grating **1106a** and the second grating **1106b**. As shown in FIG. **11A**, the first grating **1106a** can generate a first set of diffraction orders **1112a-d** and the second grating **1106b** can generate a second set of diffraction orders **1113a-d**. The detectors **1108** can detect the different diffraction orders. The detector outputs can be added to obtain up and down bending displacement detection. Similarly, the

outputs can be subtracted to obtain torsional motion and force detection. This information can be obtained when the spring constant for the second bending mode (torsion around the mid axis) of the flexible mechanical structure **1104**, clamped-clamped beam or a cantilever is known. Thus, in addition to acting as actuators, the first grating **1106a** and second grating **1106b** can be used to optically or capacitively decouple the bending motion from the torsional motion. As such, the sensed outputs of these detectors yield both bending and torsional motion information. One can also use separate beams **1110** to illuminate the plurality of gratings.

FIG. **11B** depicts a cross-sectional schematic diagram of another exemplary force sensor unit **1150** in accordance with the present teachings. The force sensor unit **1150** can comprise a force sensor **1151**, a first detection surface **1152** such as a substrate, a flexible mechanical structure **1154**, a gap **1155**, a tip **1157**, a top electrode **1166**, a grating **1156**, grating flexible mechanical structure actuation inputs **1170a** and **1170b**, and tip flexible mechanical structure actuation inputs **1172a** and **1172b**. The force sensor **1151** can be affixed to a free end of a cantilever (not shown). The grating flexible mechanical structure actuation input **1170a** can contact a transparent conductor **1173**, such as indium tin oxide, formed on the first detection surface **1152**. According to various embodiments, the flexible mechanical structure **1154** can be separated from the grating by a distance (d). Moreover, the flexible mechanical structure **1154** can comprise the top electrode **1166** and the grating **1156** can be spaced away from the first detection surface **1152**.

The force sensor **1151** shown in FIG. **11B** can extend the tip actuation range without degradation in optical displacement measurement sensitivity. For example, the tip **1157** can be positioned at a relatively large distance away from the grating **1156**. In this manner, the tip **1157** can be moved large distances without shorting or damaging the sensor **1150**. Moreover, the grating **1156** can be actuated to keep the detection sensitivity at an optimal level. For example, the gating can be actuated a distance of $\lambda/4$, where λ is the wavelength of light **1161**, to provide proper sensitivity.

The tip **1157** and flexible mechanical structure **1154** can be spaced away from the grating in various ways. For example, rigid supports **1179** can be formed on the first detection surface **1152** to support the first detection surface **1154**. In this manner, the flexible mechanical structure **1154** is separated from the grating **1156** at a predetermined distance. A second detection surface **1184** can be separated from the first detection surface **1152** by a gap so as to provide a predetermined separation distance. The grating **1156** can be formed on the second detection surface **1184**.

Operation of the sensor **1150** is similar to that described above. For example, light **1161** is directed through the first detection surface **1152**, which can be transparent. The light **1161** passes through the transparent conductor **1173** and through the grating **1156** and impinges the flexible mechanical structure **1154**. The light is reflected from the flexible mechanical structure **1154** and is diffracted by grating **1156** before being detected by detectors **1158**.

FIG. **11C** depicts a cross-sectional schematic diagram of another exemplary force sensor **1190** in accordance with the present teachings. The force sensor **1190** can comprise a detection surface **1192**, a piezoelectric actuator **1193** comprising a thin piezoelectric film **1193a** disposed between a pair of electrodes **1193b** and **1193c**, a flexible mechanical structure **1194**, a gap **1195**, a tip **1197**, and a grating **1196**. The force sensor **1190** can be combined with at least one detector and a cantilever to form a force sensor unit.

According to various embodiments, the thin piezoelectric film can comprise a piezoelectric material such as, for example, ZnO or AlN. The piezoelectric film can be deposited and patterned on the flexible mechanical structure **1194** along with the tip **1197**. The piezoelectric actuator **1193** can form, for example, a bimorph structure that can be bent and vibrated by applying DC and AC signals through the electrodes **1193b** and **1193c**. According to various embodiments, the grating **1196** can be placed off-center so as to provide a large range of tip motion that can be detected without losing sensitivity.

FIG. **12** depicts a cross-sectional schematic diagram of an array **1200** of force sensors **1201a-c** in accordance with the present teachings. The array **1200** can comprise multiple force sensors, such as force sensors **1201a-c**, formed on a detection surface **1102**. Each of the force sensors **1201a-c** can comprise a flexible mechanical structure **1204**, a gap **1205**, a tip **1207**, an electrode, such as electrodes **1216a-c**, and a grating **1206**. According to various embodiments, the array **1200** of force sensors can be used for imaging and sensing at the same time so as to enable simultaneous sensing of a physical, chemical, or biological activity and imaging of the sample **1218** surface. The force sensors **1201a-c** can be combined with at least one detector **1208** and a cantilever (not shown) to form a force sensor unit. Some of the force sensors **1201a-c** can be modified to include, for example, electrodes, sensitive films, or optical waveguides, while the others can be used for regular probe microscopy imaging of topography. Thus, each force sensor can perform the same of different function.

For example, force sensor **1201a** can be used to measure and image the elasticity or adhesion of the surface of sample **1218**. Further, the grating **1206** can be used with electrode **1216a** to provide actuation of the flexible mechanical structure **1204** by applying a voltage between contacts **1220a** and **1220b**, respectively. The elasticity information can be measured by applying known dynamic and quasi-static forces to the surface with the tip **1207** using an external actuator or by applying voltage to the terminals **1220a** and **1220b**. At the same time, the diffraction order intensities can be monitored by the optical detectors **1208** or a capacitance change can be detected by electrical means to determine the resulting tip displacement. Viscoelasticity or adhesion can be calculated using computer models well known by those who are skilled in the art of probe microscopy.

Force sensor **1201b** can be used to measure and image the topography of the surface of sample **1218** similarly as described herein using beam **1210** to generate diffraction orders **1212a-c** that can be detected by detectors **1208**. In the case of force sensor **1201b**, the grating **1206** can be used with electrode **1216b** to provide actuation of the flexible mechanical structure **1204** by applying a voltage between contacts **1220c** and **1220d**, respectively.

Still further, the force sensor **1201c** can be used to measure and image the surface potential of sample **1218**. In the case of force sensor **1201c**, the grating **1206** can be used with electrode **1216c** to provide actuation of the flexible mechanical structure **1204** by applying a voltage between contacts **1220e** and **1220f**, respectively. Moreover, the sample **1218** can be biased with respect to the tip **1207** of the force sensor **1201c** using the electrical terminal **1220g** to assist in surface potential measurements. The tip **1207** on the force sensor **1216c** can have a separate electrical terminal **1220h** which is electrically isolated from the other electrodes **1220f** and **1220e** and placed in the dielectric sensor flexible mechanical structure **1204**. The surface potential can then be measured using a electric potential measurement device connected between terminals **1220g** and **1220h**. Furthermore, an external source can be

connected to terminals **1220g** and **1220h** and the current flow in that electrical circuit can be measured to locally determine the flow of ions or electrons available from the sample **1218** or in a solution that the force sensor **1216c** is immersed.

As described previously, the fore sensors **1216a** and **1216b** can be used to obtain surface topography and elasticity information. This information can be used by an external controller to adjust the position of the tips **1207** of individual force sensors to optimize the measurements. As such, the array **1200** can be used to measure elasticity, electrochemical potential, optical reflectivity, and fluorescence while also imaging the surface.

FIGS. **13A** and **13B** depict top-down and cross-sectional schematic diagrams of an exemplary force sensor **1300** in accordance with the present teachings. In FIGS. **13A** and **13B**, the force sensor **1300** can comprise a detection surface **1302**, a grating **1306**, a tip **1307**, an electrostatic cantilever actuator flexible mechanical structure **1317**, and a cantilever **1322**. As shown in FIG. **13B**, the force sensor **1300** can also include an optical port that can be created, for example, by etching a hole **1332** through the detection surface **1302**. According to various embodiments, the grating **1306** can be a diffraction grating comprising a plurality of conductive fingers that can be deformable and that can be electrostatically actuated independently of the cantilever **1322** in order to control the relative gap **1305** distance (d) between the grating **1306** and the reflecting cantilever **1322**. Further, the cantilever **1322** can have its own electrostatic actuation mechanism **1317**. With the cantilever **1322** having its own electrostatic actuation mechanism **1317**, displacement measurements can be optimized on each cantilever **1322** of an array of independent force sensor structures. With this capability, the initial positions from topography, misalignment with the imaged sample, and/or process non-uniformities can be measured and corrected.

In operation, as shown, for example, in FIG. **13B**, a light **1310** can be directed at the cantilever **1322** through the hole **1332**. The light **1310** is reflected from the cantilever and then diffracted by the grating **1306**. Various diffraction orders **1312a-c** can be detected by detectors **1308**.

FIG. **14** shows a force sensor structure **1400** used in an AFM system **1401** according to various embodiments. The AFM system **1401** can comprise a force sensor **1403**, a detector **1408**, such as a photodiode, a light source **1411**, such as a laser diode, and a computer **1430** comprising a first processor **1440** to generate a control loop for imaging material properties and a second processor **1450** to generate a control loop for fast tapping mode imaging. The second processor **1450** can further control an integrated electrostatic actuator, as described herein.

As shown in FIG. **14**, the force sensor **1403** can be fabricated, for example, on a detection surface **1402** and placed on a holder **1428**, which can be attached to an external piezoelectric actuator (piezo tube) **1427**. The intensity of, for example, the +1st diffraction order of light diffracted by a grating **1406** in the force sensor **1403** is detected by the detector **1408** as the tip **1407** displacement signal. For example, with a 4 μm grating period and a 670 nm laser wavelength, the +1st diffraction order is reflected at a 9.6° angle from the grating normal. Tilting the detection surface **1402** by 6.2° with respect to the incident beam **1410** provides a total of 22° angular deflection. According to various embodiments with the force sensor **1403**, significantly all of the light **1410** can be reflected from the grating **1406** and the flexible mechanical structure **1404**, eliminating optical inter-

ference problems due to reflections from the sample **1418**. This can provide a clean background for tip displacement measurements.

The performance of the AFM **1401** having a force sensor, such as those described herein, can be characterized using an integrated electrostatic actuator. For example, an optical interference curve with a DC bias range of 24-36 V was traced and the bias was adjusted for optimum sensitivity point at 30 V. The displacement sensitivity at this bias level was 204 mV/nm. The RMS noise measured in the full DC-800 kHz bandwidth of the photodetector **1408** was 18 mV RMS. This value, confirmed by spectrum analyzer measurements, corresponds to $1 \times 10^{-3} \text{ \AA}/\sqrt{\text{Hz}}$ minimum detectable displacement noise with 1/f corner frequency of 100 Hz. Using the laser power available from the 0th and -1st orders and differential detection, this value can be lowered well below $5 \times 10^{-4} \text{ \AA}/\sqrt{\text{Hz}}$ without increasing the laser power or using etalon detection. The dynamic response of a typical flexible mechanical structure was also measured using electrostatic actuation, indicating a resonance frequency of 720 kHz with a quality factor of 4.1, suitable for fast tapping mode imaging.

Two controller schemes interfaced with the AFM system **1401** can be used. The first scheme is used with the first processor **1440** comprising a controller **1443** and a RMS detector **1445** for material property measurement and imaging using transient interaction force signals. The Z-input of the piezo tube **1427** is driven to generate a 2 kHz 120 nm peak sinusoidal signal while the controller **1443** keeps constant the RMS value of the photo-detector signal generated by the force sensor **1403** when it taps on the sample **1418**. The 2 kHz signal frequency is chosen as a compromise between the ability to generate adequate vertical (Z direction) displacement of the piezo tube and the frequency response of the internal RMS detector **1445** for a typical force sensor structure **1401**. The second controller scheme is used with the second processor **1450** for fast tapping mode imaging. In this case, the Z-input of the piezo tube is disabled and the integrated electrostatic actuator is used to generate a 10 nm peak-to-peak free air tapping signal in the 500-700 kHz range as well as the signals to control the force sensor **1403** tip **1407** position keeping the RMS value of the tip vibration at the desired set point.

FIGS. **15A-15C** show the results of a force sensor described herein used in a dynamic mode in an AFM system, such as that shown in FIG. **14**. The results shown in FIGS. **15A-15C** provide information about the transient interaction forces with a resolution that exceeds conventional systems. In this example, the detection surface, such as a substrate, can be oscillated, and can be driven by a suitable actuator. Both the attractive and repulsive regions of the force curve are traced as the tip **1407** contacts the sample **1418** during some phases (I-V) of each cycle. The inserts (i)-(v) in FIG. **15A** show the shape of the flexible mechanical structure **1404** during different phases of a cycle while substrate is oscillated at 2 kHz by the Z-piezo. FIG. **15A** also shows the measured detector output signal during each phase corresponding to each cycle. The detector **1408** output is proportional to the force acting on the tip **1407**.

In this particular case, during phase **1**, the tip **1407** is away from the sample **1418** surface where it experiences long range attractive forces. When brought close to the surface, the tip **1407** jumps to contact (0.2 nm change in tip position, phase II) and remains in contact for about 14% of the cycle. In the middle of the period, the repulsive force applied to the sample **1418** reaches to a peak value of 163 nN (1.22 nm tip displacement, phase III). When the tip **1407** is withdrawn, the tip **1407** experiences capillary forces of 133 nN (phase IV) before

breaking off from the liquid film on the sample **1418** surface (phase V). As shown in FIG. **15B**, the controller **1443** of FIG. **14** can be used to stabilize the signal with a constant RMS, so that the output signal of the force sensor shows individual and repeatable taps on the sample **1418**. The signals shown are averaged 100 times on a digitizing oscilloscope, and the noise level is less than 1 nN with 800 kHz measurement bandwidth.

An application of this mode of operation is the measurement of local viscoelastic properties. For example, in FIG. **15C** individual tap signals obtained on (100) silicon ($E=117$ GPa) and photoresist (PR, Shipley 1813) ($E=4$ GPa) samples using a sensor with having a tip 50 nm radius of curvature were compared. The maximum repulsive force is significantly larger for the silicon sample even though the tip-sample contact time is less than that of photoresist (PR) indicating that the silicon is stiffer than PR. Consequently, the positive slope of the time signal during the initial contact to silicon sample is significantly larger than it is when in contact with the PR sample. The silicon sample also shows higher capillary hysteresis. Both of these results are consistent with existing models and data. Moreover, the tip **1407** can encounter different long range van der Waals or electrostatic forces on these two samples.

The results shown in FIGS. **15A-15C** demonstrate a unique feature of the force sensors described herein for dynamic force measurements. In particular, the output signal is generated only when there is an interaction force on the tip. With broad bandwidth and high sensitivity, the force sensors enable direct measurement of transient interaction forces during each individual tap with high resolution and without background signal. This provides information on properties of the sample such as adhesion, capillary forces, as well as viscoelasticity.

The force sensor can be used to image various material properties by recording at each pixel the salient features of the tap signal. For example, the AFM system **1401** shown in FIG. **14** can be used to monitor transient interaction forces. The first controller **1440** of system **1401** can be used to maintain a constant RMS value of the output signal while scanning the tapping tip **1407**. FIG. **16A** shows the transient tap signals on the PR and silicon regions of a sample that having 360 nm thick, 2 μm wide PR strips with 4 μm periodicity patterned on silicon surface. Significant differences exist between the tap signals in terms of both the attractive and repulsive forces acting on the tip **1407**. For example, the silicon surface exhibits a much larger adhesion force when compared to the PR surface. Because the first controller **1440** attempts to maintain a constant RMS value over the sample, it forces the tip **1407** to indent more into the PR region. As such, the tip **1407** experiences a larger repulsive force. The shape of the individual tap signals in the attractive region has a strong dependence on the environment.

To form an image in which sample adhesion dominates the contrast mechanism, a peak detector circuit can be used to record the peak attractive force (PAF) as the pixel value, such as points A_{st} , A_{PR} in FIG. **16A**. Simultaneously, the sample topography can be recorded using a fixed RMS value set point. FIG. **16B** shows the resulting adhesion (PAF) and topography images, **1661** and **1662**, respectively, of the sample. In the topography image **1662**, the stripes **1664** correspond to the 360 nm high PR pattern (Shipley 1805) and stripes **1665** correspond to the silicon surface. In the PAF image **1661**, the silicon surface appears brighter than PR due to higher adhesion forces. By recording the peak repulsive force (PRF) as the pixel value, images where sample viscoelasticity dominates the contrast, such as at points R_{st} , R_{PR} in FIG. **16A**, can be obtained.

Simultaneously recorded PRF and topography images of the same sample region are shown in FIG. **16C** at **1671** and **1672**, respectively. The PRF image **1671** shows a reversed contrast when compared to the PAF image, while the topography image is repeatable. The PR strips **1674** appear brighter in the PRF image as indicated by the individual tap signals shown in FIG. **16A**. Also, many more contamination particles are adhered to the silicon **1665** surface as compared to the PR strips **1664**, and these particles are seen with high contrast. This is consistent with higher adhesion measured on the silicon in the PAF image **1661**.

Although a simple controller based on the RMS value set point is described in this embodiment, it is contemplated that different control schemes, such as those sampling individual tap signals at desired time instants and use those values in the control loop can also be used. For example, if the peak value of the repulsive force is kept constant as the control variable, images where the contact-to-peak force time determines the contrast—a direct measure of sample stiffness can be obtained. Several existing models can then be used to convert these images to quantitative material properties. Similarly, by detecting the attractive force peaks before and after the contact one can obtain quantitative information on the hysteresis of the adhesion forces.

FIGS. **17A** and **17B** show the results of fast tapping mode imaging of sample topography with a single sensor probe using the setup shown in FIG. **14**. In this mode, the Z-input of the piezo tube **1427** is disconnected and used only for x-y scan. The integrated electrostatic actuator is used for both oscillating the tip **1407** at 600 kHz and controlling the flexible mechanical structure **1404** bias level in order to keep the oscillation amplitude constant as the tapping mode images are formed.

A standard calibration grating with 20 nm high, 1 μm wide, sharp steps with 2 μm periodicity was used as the fast imaging sample (NGR-22010 from Veeco Metrology). FIG. **17A** shows the images of a 4 $\mu\text{m} \times 250$ nm area (512 \times 16 pixels) of the grating with line scan rates of 1 Hz, 5 Hz, 20 Hz, and 60 Hz. FIG. **17B** shows the cross sectional profiles of individual scan lines for each image. The AFM system **1401** had an x-y scan capability that can go up to 60 Hz.

For comparison, FIGS. **17C** and **17D**, show the tapping mode images and line scans using a conventional AFM system on the same sample used in the example of FIGS. **17A** and **17B**. The commercial AFM system used a tapping mode cantilever. The cantilever was made of silicon and had a 300 kHz resonance frequency (TESP-A from Veeco Metrology). In this case, the tapping piezo on the cantilever holder was used as the actuator.

As can be seen in the figures, AFM systems described herein are able to resolve the grating with at least a 20 Hz line scan rate, and in some cases a 60 Hz line scan rate. In contrast, conventional AFM systems are not able to follow the sharp steps starting at 5 Hz, and fail to produce a viable image after 20 Hz line scan rate. The imaging bandwidth of the AFM system **1401** described herein was about 6 kHz. However, controlling the dynamics of the air flow in and out of etch holes on two sides of the flexible mechanical structure, such as those shown at **280** in FIG. **2C**. With a sealed cavity, the imaging bandwidth of various force sensors described herein can be increased to more than 60 kHz. Moreover, since the force sensor unit is a well damped system even in air, methods other than RMS detection can be used to implement faster controllers.

FIG. **18** depicts a cross-sectional schematic diagram of another exemplary force sensor unit **1800** in accordance with the present teachings. FIG. **18** shows a light source **1811** and

a photodiode **1808** on the surface of an opaque, rigid, detection surface **1802**. The detection surface **1802** can be a printed circuit board, a silicon wafer, or any other solid material. Furthermore, the light source **1811** and photodiode **1808** can be constructed or sourced externally and attached to the detection surface or fabricated directly into the material using integrated circuit or micromachining fabrication techniques.

The light source **1811** can be an optical fiber or the end of a microfabricated waveguide with an appropriate reflector to direct the light to the desired location in the force sensor unit **1800**, such as a diffraction grating **1806**. The optical diffraction grating structure **1806** exists above the light source **1811**, and is characterized by alternating regions of reflective and transparent passages. A gap **1805** forming a cavity is formed between the grating **1806** and the detection surface can be sealed at some desired pressure (including low pressures) with any gas or gas mixture, or can be open to ambient. Further, a flexible mechanical structure **1804** (also called a reflective surface or reflective diaphragm) exists above the diffraction grating **1806** that reflects light back towards the detection surface **1802**. The diffraction grating **1806** and the reflective surface **1804** together form a phase sensitive diffraction grating.

When illuminated with the light source **1811** as shown, diffracted light reflects back towards the detection surface **1802** in the form of diffracted orders **1812a** and **1812b** with intensity depending on the relative position between the reflective surface **1804** and the diffraction grating **1806**, or the gap **1805** thickness. The diffracted orders **1812a** and **1812b** emerge on both the right and left side and are traditionally numbered as shown in FIG. **18**. For the phase sensitive diffraction grating with 50% fill factor, i.e. reflective and transparent passages with the same width, only the zero order and all odd orders emerge. The intensity of any one or any subset of these orders can be measured with photo-diodes **1808** to obtain information about the relative distance between the diffraction grating **1806** and the reflective surface **1804**. The angles of the orders are determined by the diffraction grating period, Λ_g , and the wavelength of the incident light, λ . For example, in the far field the angle of the order n , θ_n , will be given by the relation [1]:

$$\sin(\theta_n) = n \frac{\lambda}{\Lambda_g}. \quad [1]$$

In order to illustrate how the intensity of the reflected orders depends on the gap thickness, the normalized intensity of the zero and first orders are plotted versus the gap in FIG. **19** assuming normal incidence. The remaining odd orders (i.e. 3rd, 5th, etc.) are in phase with the 1st but have decreasing peak intensities. This behavior can be obtained when the light source **1811** remains coherent over the distance between the reflector and the diffraction grating **1806**.

Furthermore, the diffracted orders can be steered to desired locations using structures such as Fresnel lenses. For this purpose, the gratings **1806** can be curved or each grating finger can be divided into sections of sub-wavelength sized gratings.

Also using wavelength division multiplexing, light with different wavelengths can be combined and used to illuminate a multiplicity of force sensors with different grating periods. The reflected diffraction orders from different force sensors can either be converted to electrical signals by separate photodetectors, or the reflected light at different wavelengths can be combined in an optical waveguide or optical fiber to mini-

mize the number of optical connections to a processor that subsequently decodes the information carried at different wavelengths. Therefore, a multiplicity of force sensors can be interrogated using a single physical link or a reduced number of physical links to a processing system.

According to various embodiments, such as chemical and biological sensors, the reflective surface **1804** can be made of single material or a multi layered material that changes its optical properties, such as reflectivity, in response to a chemical or biological agent. Similarly, the reflective surface **1804** can be a micromachined cantilever or a bridge structure made of single or layered material that deforms due to thermal, chemical, magnetic, or other physical stimulus. For example, an infrared (IR) sensor can be constructed by having a bimorph structure including an IR absorbing outer layer and a reflective layer facing the light source **1811**. In other embodiments, such as a microphone or a pressure sensor, the reflector **1804** can be in the shape of a diaphragm.

In many applications, moving or controlling the position of the reflective surface **1804** may be desired for self-calibration, sensitivity optimization, and signal modulation purposes. For example, if the reflective surface **1804** is a diaphragm or flexible mechanical structure, as in the case of a microphone or a capacitive micromachined transducer, vibrating the diaphragm to produce sound in a surrounding fluid may be desired for transmission and self-calibration. Also, while measuring the displacement of the diaphragm, controlling the nominal gap **1805** height to a position that will result in maximum possible sensitivity for the measurement may be desired. These positions correspond to points of maximum slope on the curves in FIG. **19**, where it can be seen graphically that a change in gap thickness results in a maximum change in intensity of the diffracted order. These examples can use an added actuation function that can be accomplished with electrostatic actuation. In one exemplary embodiment, the entire diaphragm structure **1804** or just a certain region thereof can be made electrically conductive. This can be accomplished by using a non-conductive material for the reflective surface **1804** such as a stretched polymer flexible mechanical structure, polysilicon, silicon-nitride, or silicon-carbide, and then making the material conductive in the desired regions either through doping or by depositing and patterning a conductive material such as aluminum, silver, or any metal or doping the flexible mechanical structure **1804**, such as when the flexible mechanical structure comprises polysilicon.

In another exemplary embodiment, the entire diffraction grating **1806** or a portion of the grating **1806** can be made conductive. The flexible mechanical structure **1804** and diffraction grating **1806** can together form a capacitor which can hold charge under an applied voltage. The strength of the attraction pressure generated by the charges can be adjusted by controlling the voltage, and precise control of the flexible mechanical structure **1804** position is possible.

FIGS. **20A** and **20B** demonstrate this function. First, increasing voltage levels were applied to pull the flexible mechanical structure **1804** towards the detection surface **1802**, which resulted in decreasing gap **1805** height (i.e. a movement from right to left on the curve in FIG. **19**). The change in light intensity of the first diffracted order that resulted was measured with a photodiode and plotted at the top. To illustrate why controlling the flexible mechanical structure position may be important, a displacement measurement of the flexible mechanical structure **1804** was made at different gap **1805** heights as follows. At different applied voltages, sound was used to vibrate the flexible mechanical structure **1804** with constant displacement amplitude and the

resulting change in light intensity of the first diffracted order was again measured with a photodetector. As shown in the bottom of FIG. 20A, voltage levels that move the gap height to a point corresponding to a steep slope of the optical curve are desirable as they produce larger measurement signals for the same measured input. Although sound pressure was used to displace the flexible mechanical structure 1804, the device can be tailored to measure any physical occurrence, such as a change in temperature or the exposure to a certain chemical, or an applied force so long as the flexible mechanical structure 1804 was designed to displace as a result of the occurrence.

This displacement measuring scheme has the sensitivity of a Michelson interferometer, which can be used to measure displacements down to 1×10^{-6} Å for 1 Hz bandwidth for 1 mW laser power. Various embodiments disclosed herein can provide this interferometric sensitivity in a very small volume and can enable integration of light source, reference mirrors and detectors in a mechanically stable monolithic or hybrid package. This compact implementation further reduces the mechanical noise in the system and also enables easy fabrication of arrays. The high sensitivity and low noise achieved by the various embodiments far exceed the performance of other microphones or pressure sensors based on capacitive detection.

FIG. 21 depicts a cross-sectional schematic diagram of another exemplary force sensor 2100 in accordance with the present teachings. FIG. 21 shows a force sensor comprising a detection surface 2102, which allows the light source 2111 to be placed at a location behind the substrate 2102. The detection surface 2102 also allows the reflected diffracted orders 2112 to pass through, and the light intensity of any of these orders can be measured at a location behind the substrate 2102. The force sensor 2100 can also comprise a flexible mechanical structure 2104, such as a diaphragm, and a diffraction grating 2106 that can be made moveable so that its position may be controlled via electrostatic actuation, with a region of the substrate serving as a bottom electrode 2116. Changing the flexible mechanical structure—grating gap thickness can be used to optimize the displacement sensitivity of the flexible mechanical structure, as discussed above with reference to FIG. 18.

Several material choices exist for the detection surface 2102 that is transparent at the wavelength of the incident light. These include quartz, sapphire, and many different types of glass, and it can be silicon for light in the certain region of the IR spectrum. Furthermore, several manufacturers sell these materials as standard 100 mm diameter, 500 µm thick wafers, which makes them suitable for all micro-fabrication processes including lithographic patterning. As in the force sensor 1800, several different material types may be used for the flexible mechanical structure, and the cavity between the platform and diaphragm may be evacuated or filled with any type of gas mixture.

The diffraction grating 2106 may be made of any reflective material, as long as the dimensions are chosen to produce a compliant structure that may be moved electrostatically. As explained for force sensor 1800, electrostatic actuation requires a top and bottom electrode. According to various embodiments, the diffraction grating 2106 can serve as the top electrode and the bottom electrode 2116 can be formed on the substrate 2102. Furthermore, the distance between these electrodes can be small (order of a micrometer) to be able to perform the actuation with reasonable voltage levels (<100V). For example, for force sensor 2100 this means regions of both the diffraction grating 2106 and the detection surface 2102 can be made electrically conductive. If a metal

or any other opaque material is chosen to form the bottom electrode 2116 on the detection surface 2102, the electrode region should exist in a region that will not interfere with the propagation of light towards the diffraction grating 2106 and the flexible mechanical structure 2104. Alternatively, a material that is both optically transparent and electrically conductive, such as indium-tin oxide, may be used to form the bottom electrode 2116 on the platform. Force sensor 2100 enables one to use the advantages of electrostatic actuation while having a large degree of freedom in designing the flexible mechanical structure 2104 in terms of geometry and materials.

FIG. 22 depicts a cross-sectional schematic diagram of another exemplary force sensor in accordance with the present teachings. FIG. 22 shows the implementation of a resonant-cavity-enhanced (Fabry-Perot cavity) optical force sensor 2200 that can be used to improve displacement sensitivity, which may be defined as the intensity variation of the diffracted beam per unit flexible mechanical structure displacement (i.e., the change of the cavity gap) due to the external excitation. The force sensor 2200 can comprise a detection surface 2202, two parallel mirror layers, such as a bottom mirror 2203 and a top mirror 2204, and a grating 2206. According to various embodiments, the bottom mirror 2203 can be formed on the detection surface 2202 and can include the grating 2206. Further, the top mirror 2204 can also serve as a diaphragm or flexible mechanical structure.

The bottom mirror 2203 and the top mirror 2204 can be separated by the grating-embedded gap or cavity 2205, as illustrated in FIG. 22. As mentioned, the flexible mechanical structure 2204 can have a high reflectance and can act as the top mirror, and the bottom mirror 2203 can be placed beneath the diffraction grating 2206. The mirror layers can be built, for example, using a thin metal film, a dielectric stack of alternating quarter-wave ($\lambda/4$) thick media, or combination of these two materials.

FIG. 23A shows the calculated intensity of the first order versus the gap 2205 for the case of a metal mirror made of silver, but any other metal with a high reflectivity and low loss at the desired wavelength can be used. It can be noticed that the change in the diffracted order intensity with cavity gap 2205 in the resonant-cavity-enhanced optical force sensor 2200 departs from that shown in FIG. 19, depending on optical properties of the mirror layers, such as reflectance. As seen in FIG. 23A, the slope of the intensity curve increases with increasing metal layer thickness, hence the mirror reflectivity. The sensitivity in the unit of photocurrent per flexible mechanical structure displacement (A/m) is also evaluated when the intensity of the first-order, diffracted from an incident light of 1 mW optical power, is detected by a detector, such as a photo-diode with 0.4 A/W responsivity. The calculation result for various metals is presented in FIG. 23B. For example, the displacement sensitivity can be improved by 15 dB using a 20 nm thick silver layer for the mirror. For different metals with higher optical loss, the improvement may be less or the sensitivity may decrease as in case of aluminum.

FIG. 24A shows the experimental data obtained by two structures with and without an approximately 15 nm thick silver mirror layer with an aluminum diaphragm. FIG. 24A shows data for an embodiment without a mirror. Similar to FIG. 20A, increasing the DC bias voltage helps one to trace the intensity curve in FIG. 24A from right to left. Because there is no Fabry-Perot cavity formed in this embodiment, the intensity curve is smooth.

FIG. 24B shows the same curve for the Fabry-Perot cavity with a silver mirror. In this embodiment, the intensity curve has sharper features and large slopes around 16-18V DC bias.

This is similar to the change predicted in FIG. 23A. The sensitivity dependence is also verified by subjecting the diaphragm to an external sound source at 20 kHz and recording the first order intensity at different DC bias levels. FIG. 24C shows the result of such an experiment and verifies that the optical detection signal is much larger for the 16V DC bias as compared to 40V, where the average intensity is the same. For a regular microphone without the Fabry-Perot cavity structure, one would expect to obtain larger signal levels with 40V DC bias.

FIG. 25 shows the calculated intensity of the first order versus the gap 2205 for the case of the dielectric mirrors. In this embodiment the dielectric mirrors are made of silver and SiO₂/Si₃N₄ pairs but any other dielectric material combination resulting in a high reflectivity and low loss at the desired wavelength can be used. The reflectance of the mirror can be controlled by the change in the thickness of the metal film and the number of alternating dielectric pairs for a given choice of mirror materials. In FIG. 25, the number of pairs is increased from 2 to 8 and which in turn increases the slope of the intensity curve resulting in a higher sensitivity.

In contrast to the dielectric mirror case, peak intensity amplitude of the first order decreases with the metal mirror reflectance due to the optical loss in the metal film (FIG. 23A), and thus metals of low absorption loss provide good results for the metal-mirror applications. In addition, the optimal bias position moves toward to a multiple of $\lambda/2$ with the reflectance of the metal mirror. However, the optimal bias position can be easily achieved through electrostatic actuation of the flexible mechanical structure 2204.

The scheme of the resonant-cavity-enhanced optical force sensor can be also applied to the other microstructures described herein with a simple modification of fabrication process.

FIG. 26 depicts a cross-sectional schematic diagram of another exemplary force sensor in accordance with the present teachings. FIG. 26 shows a force sensor 2600 comprising a detection surface 2602, a flexible mechanical structure 2204 (also called a diaphragm), a gap 2605 (also called a cavity), and a grating 2606. The grating 2606 can be reflective and can be formed on the flexible mechanical structure 2204, which can be transparent. Further, the grating can comprise reflective diffraction fingers. According to various embodiments, the detection surface 2602 can be reflective. The force sensor 2600 can form a phase-sensitive diffraction grating when illuminated from the top side of the flexible mechanical structure 2204 as shown in FIG. 26. Similar to the embodiment shown in FIG. 18, the zero and all odd orders of light are reflected back and have intensities that depend on the gap 2605 between the diffraction grating 2606 and the detection surface 2602. The thickness of the gap 2605 can also include the thickness of the flexible mechanical structure 2604, which may be made of any transparent material. Examples of transparent materials include silicon dioxide, silicon nitride, quartz, sapphire, or a stretched polymer membrane such as parylene. Because the detection surface 2602 is reflective, any material, including semiconductor substrates or plastics, can suffice given that they are coated with a reflective layer, such as metal. To add electrostatic actuation, as described herein, a region of both the detection surface 2602 and the flexible mechanical structure 2604 can be made electrically conductive. For the flexible mechanical structure 2604, this can be accomplished by using a material that is both reflective and electrically conductive for the diffraction grating 2606. For example, any metal would work. In various embodiments, because the light source 2611 and detectors (not shown) exist on the top side of the flexible mechanical struc-

ture 2604, this particular embodiment offers remote sensing capabilities. For example, if measuring the displacement of the flexible mechanical structure 2604 due to a change in pressure is desired (as would be the case for a pressure sensor or a microphone), the detection surface 2602 can be attached to a surface and the light source 2611 and detectors can be stationed in a remote location, not necessarily close to the diaphragm.

In addition to remote measurements, the force sensor 2600 can be remotely actuated to modulate the output signal. For example, an acoustic signal at a desired frequency can be directed to the flexible mechanical structure 2604 with the grating 2606 and the output signal can be measured at the same frequency using a method such as a lock-in amplifier. The magnitude and phase of the output signal can give information on the location of the flexible mechanical structure 2604 on the optical intensity curve in shown in FIG. 19, which in turn may depend on static pressure, and other parameters such as temperature, etc. Similar modulation techniques can be implemented using electromagnetic radiation, where an electrostatically biased flexible mechanical structure with fixed charges on it can be moved by applying electromagnetic forces. In this case, the flexible mechanical structure can be made of some dielectric material with low charge leakage.

FIG. 27 depicts a cross-sectional schematic diagram of another exemplary force sensor in accordance with the present teachings. FIG. 27 shows a force sensor 2700 comprising a detection surface 2702, a transparent support comprising electrodes 2703, a flexible mechanical structure 2704 (also called a diaphragm), a gap 2705 (also called a cavity), a grating 2706, and a detector 2708. The detection surface 2702 in force sensor 2700 can be transparent so that the light source and detectors 2708 can be placed at a location behind the detection surface. However, placing the light source and detectors 2708 on the surface of the detection surface is equally viable and allows the usage of substrates such as silicon wafers or printed circuit boards. According to various embodiments, the grating 2706 can be moveable. As discussed herein, controlling the gap 2705 between the grating 2705 and the reflective flexible mechanical structure 2704 can be used to optimize detection sensitivity.

Various methods can be used to control the thickness of the gap 2705, such as, for example, controlling the flexible mechanical structure 2704 position, the grating 2706 position, or both. Furthermore, the force sensor 2700 allows placement of the grating 2706 anywhere in the cavity 2705 between the light source 2708 and the flexible mechanical structure 2704.

According to various embodiments, the use of highly reflective semi-transparent layers to enhance displacement sensitivity using Fabry-Perot cavity, as described by, for example the embodiment shown in FIG. 22. For example, a Fabry-Perot cavity can be implemented with any of the other embodiments mentioned so far, when using semitransparent layer is placed in close proximity to the diffraction grating

For example, the sensors shown in FIGS. 18 and 21 can place a semi-transparent layer on the top or bottom surface of the grating. Further, the force sensor shown in FIG. 26 can place a semi-transparent layer on either the top or backside of the flexible mechanical structure, which is where the diffraction grating is located in this case.

For example, FIG. 28A depicts a cross-sectional schematic diagram of another exemplary force sensor in accordance with the present teachings. FIG. 28A shows a force sensor 2800 comprising a detection surface 2802, a flexible mechanical structure 2804 (also called a diaphragm), a first gap 2805A (also called a first cavity), a second gap 2805B

(also called a second cavity), a first grating **2806A** (also called a reference grating), a second grating **2806B** (also called a sensing grating), a detector **2808**, and a light source **2811**. The second grating **2806B** can be formed on the flexible mechanical structure **2804**, which can be transparent. Moreover, the flexible mechanical structure **2804** can be formed over the first grating **2806A**.

In this embodiment, the flexible mechanical structure **2804** is or has a reflective diffraction grating, second grating **2806B**, rather than a mirror-like uniform reflector surface described above. Moreover, the second grating **2806B** on the flexible mechanical structure **2804** reflector can have the same periodicity as the first grating **2806B**, but can be offset and can have diffraction fingers whose widths are smaller than the gap between the first grating **2806A**. This offset allows some of the incident light to pass through. This structure, as shown in FIG. **28A**, allows some of the incident light from light source **2811** to transmit through the whole force sensor **2800** and also introduces new diffraction orders in the reflected field. As such, this provides a different kind of phase grating than those described above.

FIG. **28B** is provided to assist in understanding the operation of a sensor having two gratings. For example, one can consider the phase of the light reflected from the first grating **2806A** (also called the reference grating) (ϕ_1) and the second grating **2806B** on the flexible mechanical structure **2804** (ϕ_2). When the difference between ϕ_a and ϕ_2 is $2k\pi$, $k=0, 2, 4, \dots$, the apparent period of the grating is Λ_g (apparent reflectivity of 1, 0, 1, 0 regions assuming perfect transmission through the transparent diaphragm **2804**) and the even diffraction orders are reflected with angles

$$\sin(\theta_n) = n \frac{\lambda}{\Lambda_g}, \quad n = 0, \pm 2, \pm 4, \dots \quad [2]$$

In contrast, when the difference between ϕ_1 and ϕ_2 is $m\pi$, $m=1, 3, 5, \dots$, the apparent period of the grating is $2\Lambda_g$ (apparent reflectivity of 1, 0, -1, 0, 1 regions assuming perfect transmission through the flexible mechanical structure **2804**) and the odd diffraction orders are reflected with angles

$$\sin(\theta_n) = n \frac{\lambda}{2\Lambda_g}, \quad n = 1, \pm 3, \pm 5, \dots \quad [3]$$

Here it is assumed that the width of the reflective fingers on the reference grating **2806S** and the second grating **2806B** on the flexible mechanical structure **2804** are the same. This does not have to be the case if the interfering beams go through different paths and experience losses due to reflection at various interfaces and also incidence angle variations. The diffraction grating geometry can then be adjusted to equalize the reflected order intensities for optimized interference.

In this double grating structure, shown, for example in FIG. **28A**, the intensity of the odd and even numbered orders change with 180° out of phase with each other when the gap **2805B** between the reference grating **2805A** and sensing grating **2806B** changes. The even numbered diffraction orders are in phase with the zero order reflection considered in the previous embodiments.

One advantage of having other off-axis even diffraction orders in phase with the specular reflection is that it enables one to easily use differential techniques. This is achieved by taking the difference of the outputs of two detectors posi-

tioned to detect odd and even orders, respectively. Hence the common part of the laser intensity noise which is common on both orders can be eliminated.

Microscopy probe units (also called probe units), such as those shown in FIGS. **29A-31**, are also provided. The probe units can be a cartridge that can include various combinations of a probe tip, a force sensor, a detector, and/or a light source. Because the tip interacting with a sample may need to be changed frequently, exemplary probe units can be easily positioned in a microscopy system. Moreover, the entire probe unit can be disposable. Unlike conventional AFM system that require the tip of a thin, curved cantilever beam, to be aligned using a laser, the present probe units can be simply placed at a predetermined position. For example, the probe units can include alignment guides for simple positioning. The probe units can also include a force sensor that can include a flexible mechanical structure separated from a detection surface by a gap, where the probe unit is designed to be placed at a predetermined location on a microscopy system. Alignment structures, such as mechanical guides, can be used to easily position the probe unit in the microscopy system. In addition to mechanical guides, optical signals, such as those captured by a photodetector, can also be used to fine tune the positioning of the probe unit. In some cases, the positioning may only need lateral positioning of the probe unit by sliding it over a flat, rigid surface of the microscopy system. Moreover, calibration signals can be applied to the probe unit to determine probe parameters such as resonance frequency, stiffness, etc., before measurements are taken. Furthermore, light sources with tunable wavelengths can be used to calibrate the displacement sensitivity without touching an external surface with the probe tip. The probe unit can also include an integrated actuator such as shown in FIGS. **11B-11C** and a sensitive probe force readout using a light source and photodetectors, or electrical circuits to measure the tip displacement based on capacitance changes.

FIG. **29A** shows an exemplary basic microscopy probe unit **2900** having a force sensor **2901** attached to a detection surface **2902**. The force sensor **2901** can comprise a flexible mechanical structure **2904** separated from a detection surface **2902** by a gap **2905**. According to various embodiments, the detection surface **2902** can comprise a grating **2906**. As described above, the grating **2906** can be a movable grating or the grating **2906** can be disposed on a substrate **2903**. Moreover, as describe above, when no grating is used, the detection surface can provide capacitive, piezoresistive, or piezoelectric detection. When a grating is used, the detection surface can provide optical detection. According to still further embodiments, the force sensor can also include a probe tip (also called a tip) **2907** coupled to the flexible mechanical structure **2904**. In some cases, the tip can be magnetized to provide magnetic force measurement capabilities.

Electrical connection **2920a** can be coupled to the detection surface **2902** and electrical connection **2920b** can be coupled to the flexible mechanical structure **2904**. As described above, the electrical connections can supply electrical signals to actuate the flexible mechanical structure **2904** and/or the detection surface **2902**, such as when using grating **2906**. As such, the grating need not be physically connected to the electrode.

Electrical connections **2920a** and **2920b** can apply DC and/or AC forces to the flexible mechanical structure **2904**, and when desired, to detection surface **2902**, such as grating **2906**, as described above. Forces can be applied for optimization of sensitivity, imaging, and manipulation purposes. Additional electrical connections can be used to apply and/or detect electrical signals between the force sensor **2901** and a

surface of the sample **2918**. In instances where the electrical signal is used for detection purposes, such as embodiments using capacitive, piezoresistive, or piezoelectric detection, the microscopy system should have suitable electrical connections as well. The exemplary basic microscopy probe unit **2900**, can be used as shown in FIG. **14** as part of a larger probe microscopy system.

According to various embodiments, the probe unit **2900** can be easily positioned and aligned in a microscopy system. For example, the probe unit **2900** can be configured to be guided into proper alignment using guides attached to the microscopy system. In some cases, the probe unit **2900** can include a rigid mechanical structure, described in detail below, that itself can be easily positioned in a microscopy system.

FIG. **29B** shows another probe unit **2950** according to various embodiments of the present invention. Probe unit **2950** is similar to probe unit **2900** shown in FIG. **29A**, but can also include at least one detector **2908**. As described above, the detector can be configured to detect movement of the flexible mechanical structure **2904** as the probe tip **2907** interacts with a sample **2918**. Similarly, in cases where the probe unit functions using capacitive, piezoresistive, or piezoelectric detection, the detector can be configured to detect movement of the flexible mechanical structure **2904** as it interacts with the sample.

The probe unit **2950** can further comprise a rigid mechanical structure **2982**. The rigid mechanical structure can be used to rigidly hold the force sensor **2901** and detection surface **2902**, including the substrate **2903**, and the detector **2908**. According to various embodiments, the probe unit **2950** can further comprise a light source **2910**, which, as shown in FIG. **29B**, can also be attached to the rigid mechanical structure **2982**. The rigid mechanical structure **2982** can be made of a material that is transparent to predetermined wavelengths of light such as those emitted by the light source **2910** and those reflected from the grating **2906**. For example, the rigid mechanical structure can be glass, fused silica, quartz, sapphire or any solid material transparent to the wavelength of the light source. In addition to mechanical support, the rigid mechanical structure **2982** can provide a clear optical path for light emitted from the light source **2910** to impinge the flexible mechanical structure **2904**. Moreover, a clear optical path can be provided for light reflected from the grating **2906** to the detector **2908**. The clear optical path can be air, an evacuated cavity or a transparent solid such as glass, fused silica, quartz, sapphire or any solid material transparent to the wavelength of the light source.

The probe unit **2950** can also include alignment structures **2983** that can be used to guide the force sensor **2901** and detection surface **2902** into a predetermined position on the rigid mechanical structure **2982**. While the alignment structures **2983** in FIG. **29B** are shown as blocks, any alignment structure known to one of ordinary skill in the art can be used. Probe units can also include alignment structures to easily position the entire probe unit in a microscopy system.

The probe unit **2950** shown in FIG. **29B** can also include an actuator such as those describe above. According to various embodiments, a vertical actuator **2985** can be attached to the rigid mechanical structure **2982** to move the probe tip **2907**. For example, the probe tip **2907** can be positioned substantially normal to the flexible mechanical structure along a vertical axis **2951**. As such, the vertical actuator **2985** can move the entire probe unit **2950** up and down along the vertical axis to approach the sample surface. In another embodiment, the vertical actuator **2985** can be positioned between the rigid mechanical structure **2982** and the force

sensor **2901** to allow for movement of the probe tip **2907** along the vertical axis. The vertical actuator **2985** can be a combination of a large range (about 1 μm to about 1 cm) stepper motor in addition to a fine adjustment actuator. In some embodiments, the fine adjustment actuator can have an actuation bandwidth from DC to 10 MHz to support various imaging modes for the force sensor. According to various embodiments, a lateral actuator can be coupled to the sample or to the rigid mechanical structure. This can be useful for imaging purposes. In particular, the lateral actuator can scan the force sensor in the lateral direction. For fast imaging applications, an actuator connected to the force sensor can be used as the fastest vertical or lateral actuator in the system.

According to various embodiments, the sample **2918** can be placed on a stage **2919** that is vertically and laterally actuated, and the rigid mechanical structure **2982** remains stationary with respect to the base of the sample **2918**. The vertical sample actuator can be a combination of a large range (about 1 μm to about 1 cm) stepper motor in addition to a fine adjustment actuator. For measurement and imaging, an additional actuator connected to the force sensor can be used as the fastest vertical or lateral actuator in the system.

According to various embodiments, the light source **2910** can be a light source such as one described above. In certain embodiments, the light source **2910** can have a temporal coherence length equal to, or greater than two times the distance between the grating, whether movable or stationary, and the flexible mechanical structure-(for example, this can be the distance of the gap **2905**). The light-source **2910** can be fixed at a location that is a suitable distance away with a direct optical path to the grating. Moreover, the light beam should have a spot size that is wide enough to illuminate at least four to five grating periods. For example, for a grating having at least four gratings with a period of about 4 μm , the beam should have a diameter of at least about 16 μm to illuminate at least four of the gratings. In various embodiments, the beam should be incident on the grating at an angle α close to the normal of the grating. For example, α can be between about 0 degrees to about 30 degrees away from normal.

According to various embodiments, detectors **2908** can comprise photodetectors, such as photodiodes. As described above, the photodetectors can capture reflected diffraction orders by being located at a suitable distance, such as far field from the grating **2906**, so that the diffraction orders are separated and thus, resolved. As in the case of the light source, the locations of the detectors can be predetermined by the wavelength of the light source and the grating period. A simple formula for the diffraction angle of the n^{th} order is given by

$$\sin(\phi_n) = n(\lambda/d) \quad [4]$$

where λ is the wavelength of the light source, d is the grating period, and ϕ is the angle away from normal. Several photodetectors can be provided to capture more diffraction orders and to utilize more of the optical power so as to obtain higher sensitivity and lower measurement noise. The 0^{th} diffraction order and higher diffraction order signals are complementary and can be subtracted from each other to minimize light intensity noise from the measurements. The photodetectors can be made large enough to detect as much light as needed in the diffraction order beams to minimize noise that can come from vibrations.

As shown in FIG. **29C**, the probe unit can also include optical components, such as lens, to shape the optical beams for effective illumination of the grating **2906** and to improve detection of the reflected diffraction orders. For example, the probe unit can include a lens **2987** and a lens **2988** disposed in the rigid mechanical structure **2982**. Lens **2987** can shape and

direct light 2992 emitted from the light source 2910 toward the grating 2906. Further, lens 2988 can direct and shape the reflected light 2994 from the grating to the detectors 2908. In addition to lenses, mirrors of suitable size and reflectivity can be part of the probe unit. For example, as shown in FIG. 29D a mirror 2995 can be used to direct incident light 2992 from the light source 2910 to the grating 2906 or reflected light 2994 to detector 2908. If desired, a lens, such as lens 2987 can be positioned to focus light. According to various embodiments, the mirrors can be used to place the light source 2910 and detectors 2908 in the probe unit to reduce the probe unit volume or weight. Other lenses and/or mirror configurations, as well as other optical elements, such as beam splitters and fiber optic elements, can be used to direct light in the probe unit as will be understood by one of ordinary skill in the art.

FIG. 29E shows a side view of a portion of the microscopy probe unit 2950. As shown in FIG. 29D, light 2992 emitted from light source 2910 can be directed to flexible mechanical structure 2904 and to grating 2906. The light can then be reflected from grating 2906 and diffraction orders 2994 can be directed towards photodiodes 2908.

According to various embodiments the probe unit can have force sensors such as in FIGS. 10A-10D and FIGS. 11A-11C. These structures can be used to detect forces applied to the flexible mechanical structure in different directions and also can be used to actuate a probe tip in different directions. As shown in FIGS. 10A-10D and FIGS. 11A-11C, these force sensor can have a plurality of diffraction gratings of the same periodicity but different orientation, a plurality of diffraction gratings of the different periodicity but different or same orientation, or, for example, can have a plurality of separate electrodes for capacitive detection and actuation. In this case, the probe unit can have multiple light sources and multiple photodetectors to measure the probe deflection under each separate grating, or can have a single light source but different sets of photodetectors for the diffraction orders reflected from each grating. The separation of these diffraction orders is enabled by either the grating period or grating orientation. Similarly, the probe unit can have multiple electrical circuits each of which is used to detect the capacitance changes due to the motion of the probe structure over the separate electrode.

A benefit of the simple design of the probe unit is that the overall structure of the microscopy system can be quite small. Examples of a small microscopy systems are describe in co-pending U.S. patent application Ser. No. 10/704,932, filed Nov. 10, 2003, and which is incorporated by reference herein in its entirety. For example, the size of various microscopy systems can be reduced by using a semiconductor laser, such as vertical cavity surface emitting lasers (VCSELs) as the light source. FIG. 30A depicts a probe unit 3000 for use in such a small microscopy system. The probe unit 3000 can comprise a force sensor 3001, a substrate 3002, a flexible mechanical structure 3004, a gap 3005, a grating 3006, a probe tip 3007, a light source 3010, a detector 3008, and alignment structures 3083. The light source 3010 can be a semiconductor laser such as a VCSEL. In FIG. 30B, a probe unit 3050 similar to probe unit 3000 is shown with the inclusion of an X-Y-Z scanning system 3090. In FIGS. 30A and 30B, the dotted line shows the path of light from the light source 3010 and the dashed line shows the path of reflected from the grating 3006.

According to various embodiments, the probe unit can be adapted to be used with existing probe microscopy systems such as in FIG. 14. As shown in FIG. 14, a force sensor structure 1400 can be used to adapt the force sensor 1403 to the AFM system 1401.

According to various embodiments, a probe unit can made to fit in a volume of about 1 mm³ to about 5 mm³. Moreover, the probe units described herein can be disposable. Still further, the probe units can be coupled to a scanning system with mechanical clamps and electrical input output signal connectors. In some embodiments, several independent probe units can be combined to form an array for fast parallel material property or metrology measurements over a long area, such as semiconductor metrology applications over a wafer. For example, several probe units can be connected to a laterally actuated platform where individual probe units have independent vertical actuators, or several probe units can be connected to a platform where individual probe units have independent vertical actuators and the sample is placed on a laterally and vertically actuated platform. Then, a microscope unit with multiple light sources and detectors can be used for parallel readout of the probe units for parallel imaging and force measurements.

The probe units can also be used to image in fluid media, as described above. For example, a probe unit can be immersed in a fluid for imaging samples with biological and chemical relevance. For this purpose, a so-called "fluid cell" can be implemented to facilitate introduction of fluids to the probe microscope while isolating the electrical and optical connections.

Turning to FIG. 31 a simple schematic of a probe unit 3100 including electrostatic actuation and capacitive detection is shown. The probe unit 3100 can be similar to those described above and can further include an electrostatic actuator circuit 3021 and a capacitive readout circuit 3022. This configuration may be more suitable for some applications where integration into a smaller space is desired.

According to various embodiments, the probe unit can also include multiple signal processing capabilities for electrochemical, thermal, and optical measurements. Still further the probe units can include lithography capabilities that can be achieved using, for example, multi-tip devices.

It is noted that various microscope configurations described herein can be connected to a microscope electronics system that may include a controller, image processor, and other functions that can be used to collect, perform calculations, display images, and determine material properties of the samples at the nanoscale.

In various embodiments, there is no need to tilt the probe unit with respect to the sample surface, in contrast to the case of beam-bounce based optical detection of AFM cantilever deflection. The probe unit can be placed on a flat surface parallel to the rigid mechanical structure that carries the laser and detectors and the tip can be vertical to the sample surface. This configuration helps with the mechanical property analysis because the vertical forces can be applied to the sample without applying lateral forces. In tilted cantilevers, increasing the normal force on the tip inevitably causes the tip to slide, applying lateral forces and making the contact analysis difficult.

While the probe units detailed herein are described in terms of optical interferometric readout and electrostatic actuation, other detection actuation combinations, such as capacitive detection and actuation, such as capacitive actuation and optical beam bounce detection, can also be used with similar capabilities.

The sensors described herein can be used with various AFM systems and methods to measure, for example, the attractive and repulsive forces experienced by the tip to provide information on various surface forces and sample properties. Moreover, the force sensors described herein can be used with several AFM methods, including nanoindentation,

force modulation, ultrasonic AFM, pulsed force mode, and dynamic force spectroscopy that have been developed to characterize the viscoelastic properties of the material under investigation.

Thus, a force sensor for probe microscope for imaging is provided that can offer the unique capability for measuring interaction forces at high speeds with high resolution. In addition to optical interferometer, various integrated readout techniques including capacitive, piezoelectric or piezoresistive can be used. Similarly, the actuators described herein can be a thin film piezoelectric, a magnetic, or a thermal actuator. Further, force sensors with multiple tips, where several sensing and actuation functions are implemented in the same device are also envisioned. Still further, electrical measurements, chemical measurements, information storage and nanoscale manipulations can be performed all while simultaneously obtaining topography images of the sample in gas or liquid media. As such, the sensors and the methods of imaging described herein open a new area in the field of probe microscopy. This new device can enable high speed imaging and provide images of elastic properties and surface conditions of the sample under investigation.

While the invention has been illustrated with respect to one or more implementations, alterations and/or modifications can be made to the illustrated examples without departing from the spirit and scope of the appended claims. In addition, while a particular feature of the invention may have been disclosed with respect to only one of several implementations, such feature may be combined with one or more other features of the other implementations as may be desired and advantageous for any given or particular function. Furthermore, to the extent that the terms “including”, “includes”, “having”, “has”, “with”, or variants thereof are used in either the detailed description and the claims, such terms are intended to be inclusive in a manner similar to the term “comprising.”

Other embodiments of the invention will be apparent to those skilled in the art from consideration of the specification and practice of the invention disclosed herein. It is intended that the specification and examples be considered as exemplary only, with a true scope and spirit of the invention being indicated by the following claims.

What is claimed is:

1. A microscopy probe unit, comprising:

- a. an optically transparent substrate;
- b. an optical diffraction grating disposed on the transparent substrate;
- c. a flexible mechanical structure spaced apart from the transparent substrate, the flexible mechanical structure including a reflective surface;
- d. a probe tip extending outwardly from the flexible mechanical structure;

e. a light source configured to direct a light beam toward the reflective surface so that the light beam is between 0° and 30° away from normal to the reflective surface;

f. at least two optical sensors, including a first optical sensor and a spaced apart second optical sensor, the first optical sensor configured to sense a first intensity of a beam of a first diffraction order diffracted by the diffraction grating and the second optical sensor configured to sense a second intensity of a beam of a second diffraction order, different from the first diffraction order, diffracted by the diffraction grating, wherein the first intensity and the second intensity are indicative of a displacement between the optical diffraction grating and the reflective surface;

g. a first electrical connection coupled to the detection surface and a second electrical connection coupled to the flexible mechanical structure, the first electrical connection and the second electrical connection being configured to supply electrostatic forces to actuate the flexible mechanical structure; and

h. an actuator configured to drive the first electrical connection and the second electrical connection with an oscillating signal so as to cause the flexible mechanical structure to operate in a tapping mode.

2. The microscopy probe unit according to claim 1, wherein the probe unit is configured to be positioned at a predetermined location on a microscopy system.

3. The microscopy probe unit according to claim 2, wherein the probe unit is configured to be aligned to the predetermined location based on an alignment structure.

4. The microscopy probe unit according to claim 1, further comprising:

a first electrical connection coupled to the grating; and a second electrical connection coupled to the flexible mechanical structure.

5. The microscopy probe unit according to claim 4, wherein the first electrical connection and the second electrical connection are configured to supply electrostatic forces to actuate the flexible mechanical structure.

6. The microscopy probe unit according to claim 1, further comprising:

a rigid mechanical structure, wherein the optically transparent substrate is coupled to the rigid mechanical structure.

7. The microscopy probe unit according to claim 6, wherein the substrate and a portion of the rigid mechanical structure are transparent to light emitted by the light source.

8. The microscopy probe unit according to claim 6, wherein the light source is positioned on the rigid mechanical structure to provide a direct optical path from the light source to the grating.

9. The microscopy probe unit of claim 1, wherein the oscillating signal comprises a sinusoidal signal.

* * * * *