



US00D605822S

(12) **United States Design Patent**
Cantrell et al.

(10) **Patent No.:** **US D605,822 S**

(45) **Date of Patent:** **** Dec. 8, 2009**

(54) **RECYCLING SYSTEM**

D586,521 S * 2/2009 Pho et al. D34/11
D591,470 S * 4/2009 Tuncel D34/7

(75) Inventors: **John C Cantrell**, Atlanta, GA (US);
David L. Rush, Atlanta, GA (US)

* cited by examiner

(73) Assignee: **Hok**, Culver City, CA (US)

Primary Examiner—Cynthia E Ramirez
(74) *Attorney, Agent, or Firm*—Bryan W. Bockhop; Bockhop & Associates, LLC

(**) Term: **14 Years**

(21) Appl. No.: **29/336,115**

(57) **CLAIM**

(22) Filed: **Apr. 29, 2009**

The ornamental design for a recycling system, as shown and described.

(51) **LOC (9) Cl.** **09-09**

(52) **U.S. Cl.** **D34/5; D34/1**

(58) **Field of Classification Search** D34/1,
D34/5, 6, 7, 8, 9, 10, 11; 220/908, 908.1,
220/911, 200

See application file for complete search history.

DESCRIPTION

FIG. 1 is a bird's-eye isometric view showing the front, top, and side of my new ornamental design for a recycling system; FIG. 2 is a front elevational view of the recycling system shown in FIG. 1;

FIG. 3 is a rear elevational view of the recycling system shown in FIG. 1;

FIG. 4 is a top plan view of the recycling system shown in FIG. 1; and,

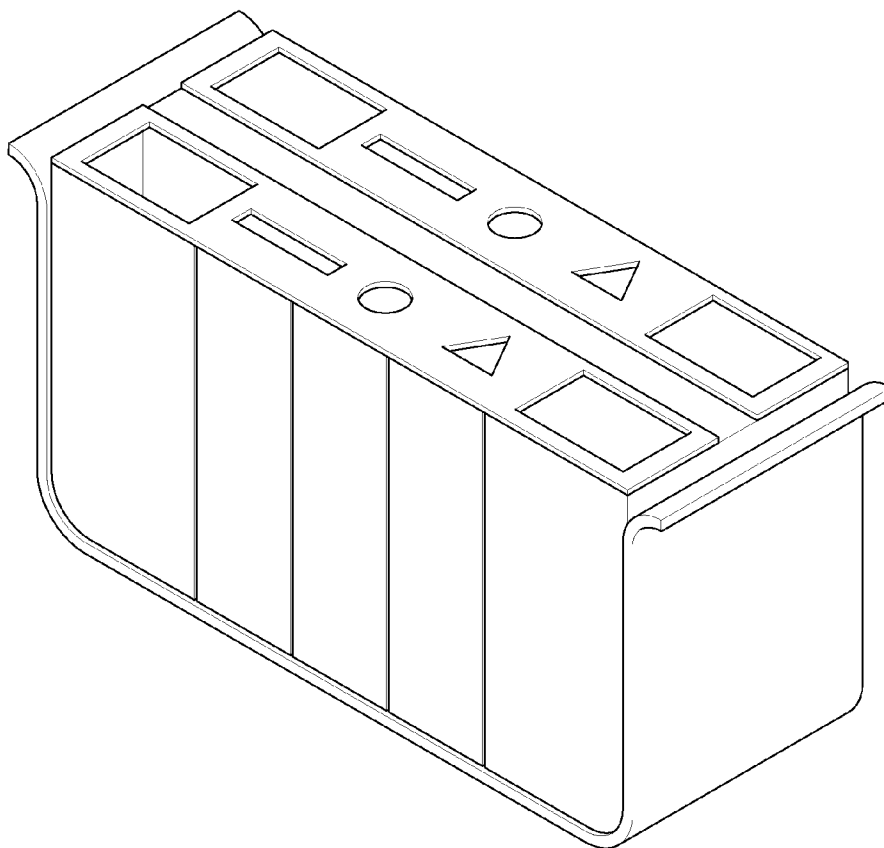
FIG. 5 is a side elevational view of the recycling system shown in FIG. 1, the opposite side of which is a mirror image.

(56) **References Cited**

U.S. PATENT DOCUMENTS

D292,037	S	*	9/1987	Hanifl	D34/7
4,697,771	A	*	10/1987	Majors	248/97
4,927,076	A	*	5/1990	Simpson	229/132
5,165,563	A	*	11/1992	McKendry	220/254.8
5,201,417	A	*	4/1993	Outlaw, III	206/366
5,273,161	A	*	12/1993	Sagstetter	206/366

1 Claim, 3 Drawing Sheets



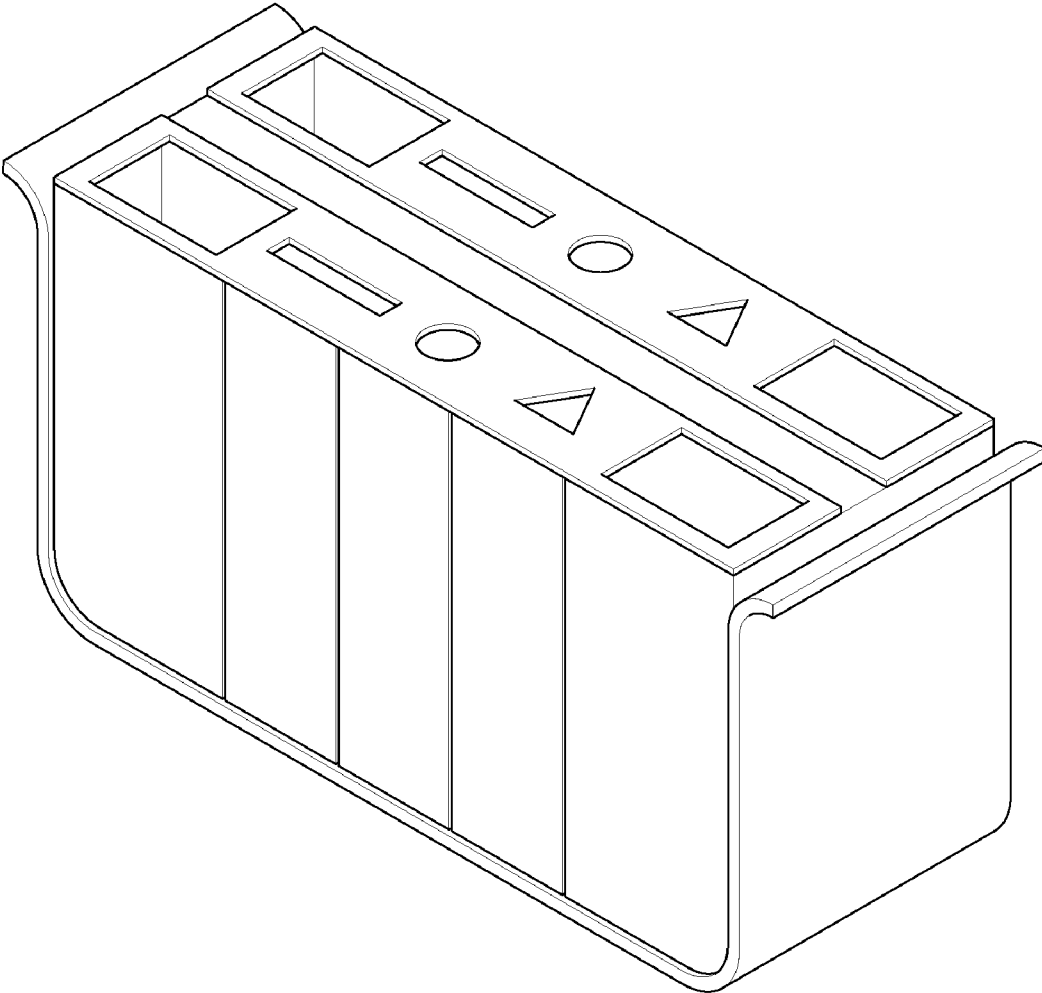


FIG. 1

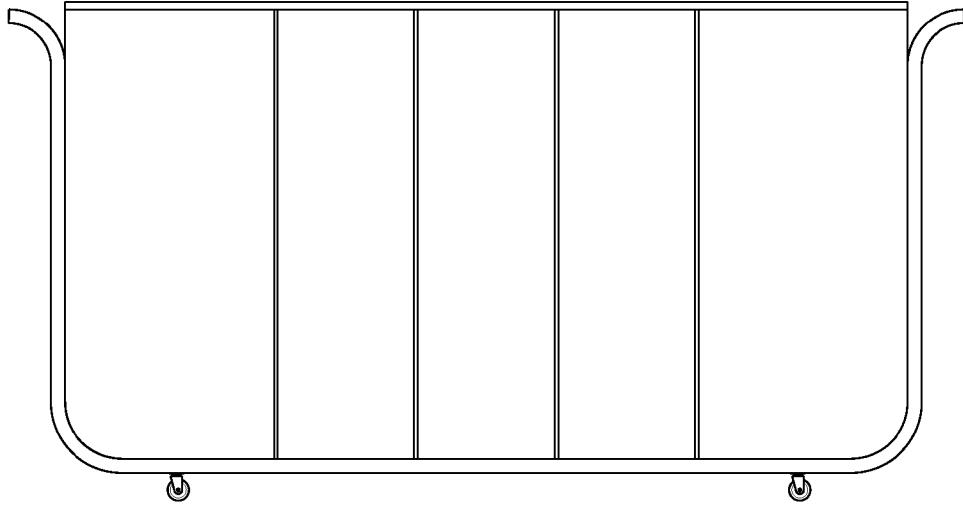


FIG. 2

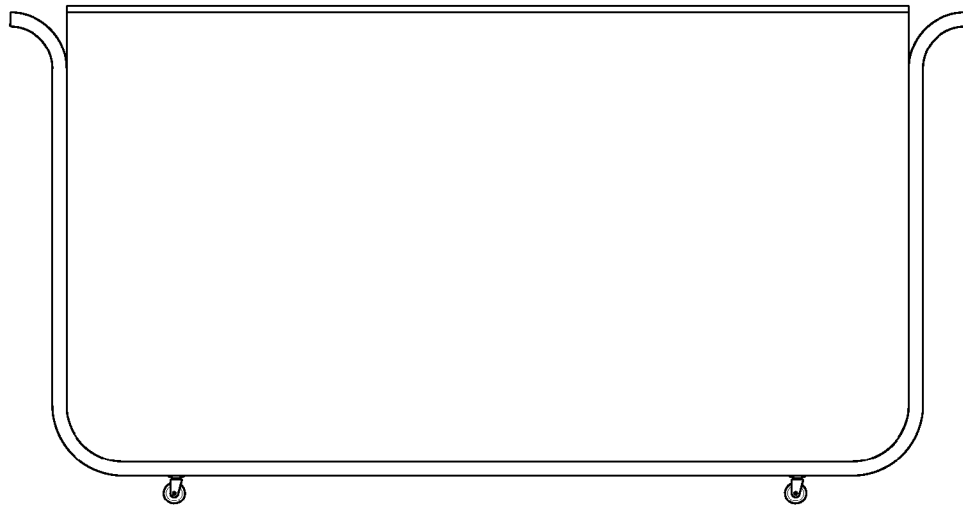


FIG. 3

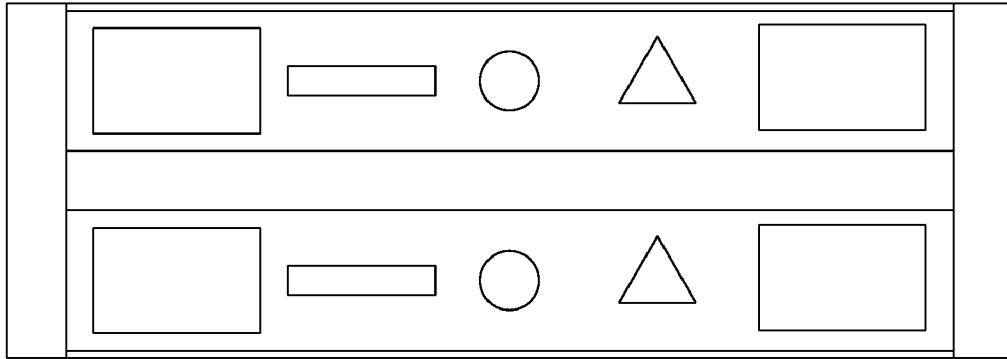


FIG. 4

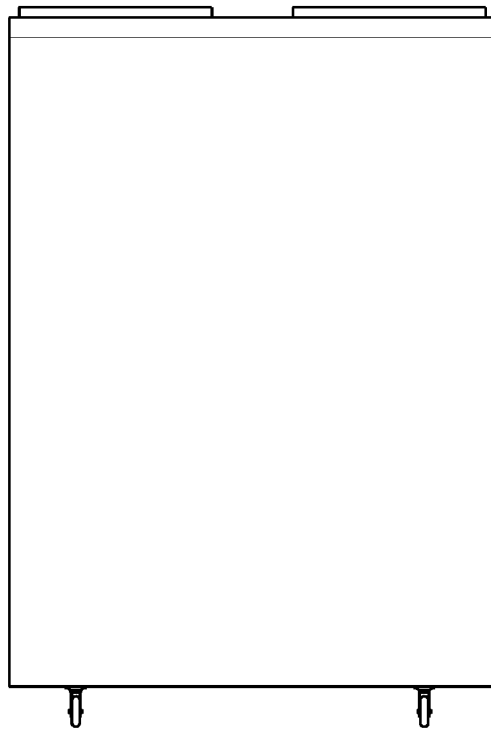


FIG. 5