



(12) **United States Design Patent**  
**Sada et al.**

(10) **Patent No.:** **US D713,010 S**  
(45) **Date of Patent:** **\*\* Sep. 9, 2014**

(54) **CONDENSATE OVERFLOW DETECTION DEVICE**

(56) **References Cited**

U.S. PATENT DOCUMENTS

(71) Applicants: **Jonathan M. Sada**, Lawrenceville, GA (US); **Keith H. Platt**, Snellville, GA (US)

D416,076	S	*	11/1999	Okitsu	.....	D23/235
D562,436	S	*	2/2008	Kato et al.	.....	D23/233
D603,015	S	*	10/2009	Matsumura	.....	D23/233
D603,016	S	*	10/2009	Matsumura	.....	D23/233
D615,618	S	*	5/2010	Someya	.....	D23/233
D622,350	S	*	8/2010	Gramegna et al.	.....	D23/233
D637,270	S	*	5/2011	Nicolia et al.	.....	D23/235
D677,363	S	*	3/2013	Norlander et al.	.....	D23/233
D691,701	S	*	10/2013	Iranyi et al.	.....	D23/233
D691,702	S	*	10/2013	Iranyi et al.	.....	D23/233
D706,395	S	*	6/2014	Opfer et al.	.....	D23/233

(72) Inventors: **Jonathan M. Sada**, Lawrenceville, GA (US); **Keith H. Platt**, Snellville, GA (US)

\* cited by examiner

(73) Assignee: **DiversiTech Corporation**, Duluth, GA (US)

*Primary Examiner* — Cynthia Ramirez

(74) *Attorney, Agent, or Firm* — Bryan W. Bockhop; Bockhop & Associates, LLC

(\*\*) Term: **14 Years**

(57) **CLAIM**

The ornamental design for a condensate overflow detection device, as shown and described.

(21) Appl. No.: **29/465,482**

**DESCRIPTION**

(22) Filed: **Aug. 28, 2013**

FIG. 1 is an overhead isometric view of the front, top and side of a condensate overflow detection device showing my design.

(51) **LOC (10) Cl.** ..... **23-01**

(52) **U.S. Cl.**

USPC ..... **D23/249**

(58) **Field of Classification Search**

CPC ..... F15B 13/0402; F15B 13/0431; F15B 13/043; F15B 13/0857; F16K 31/426; F16K 31/0655; F16K 31/0658

USPC ..... D23/233-234, 244-249; 137/625.64, 137/505, 505.42, 884, 116.3; 251/129.15, 251/288, 337

FIG. 2 is a top view thereof.

FIG. 3 is a bottom view thereof.

FIG. 4 is a left side view thereof.

FIG. 5 is a front view thereof.

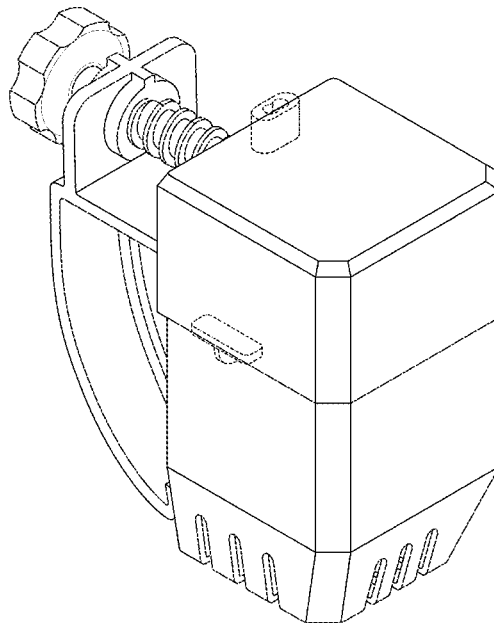
FIG. 6 is a right side view thereof; and,

FIG. 7 is a rear view thereof.

The broken lines shown are for illustrative purposes only and form no part of the claimed design.

See application file for complete search history.

**1 Claim, 4 Drawing Sheets**



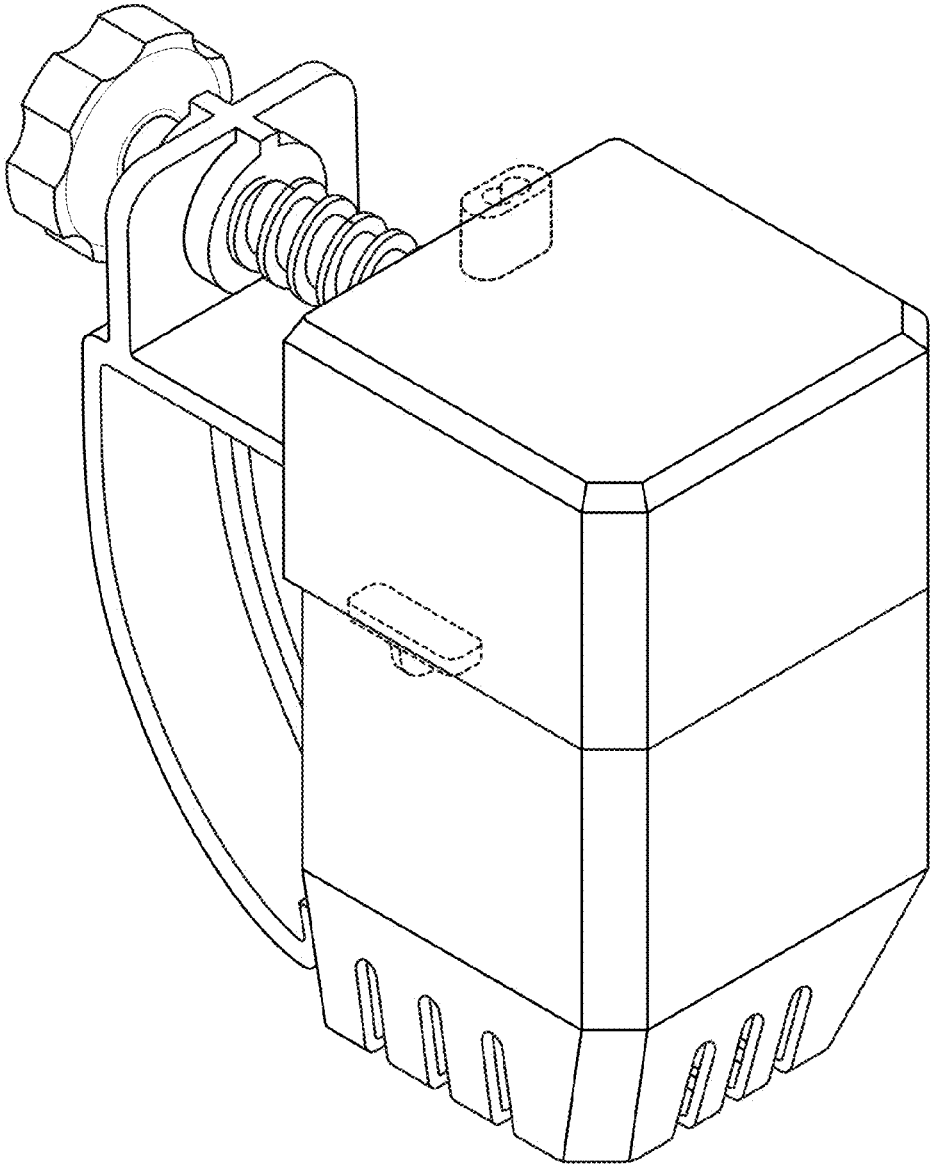


FIG. 1

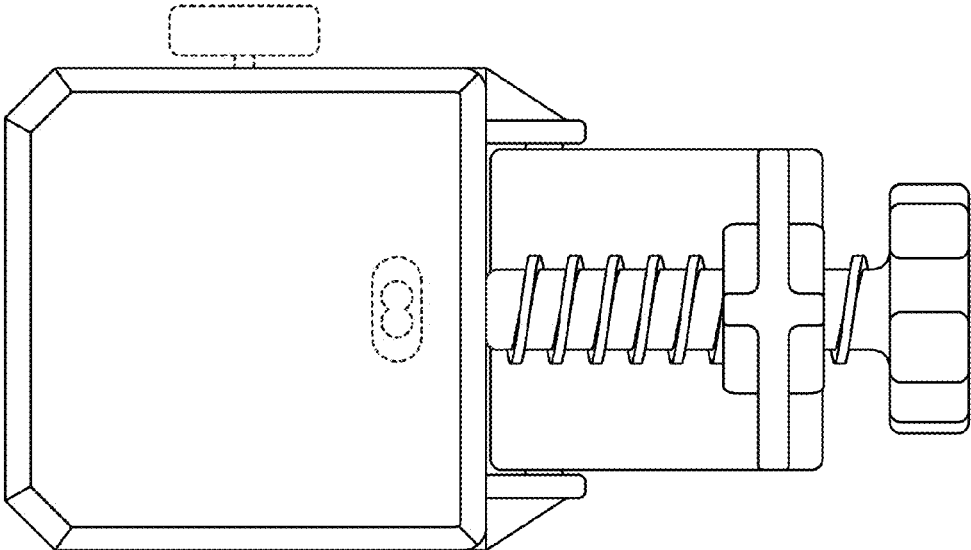


FIG. 2

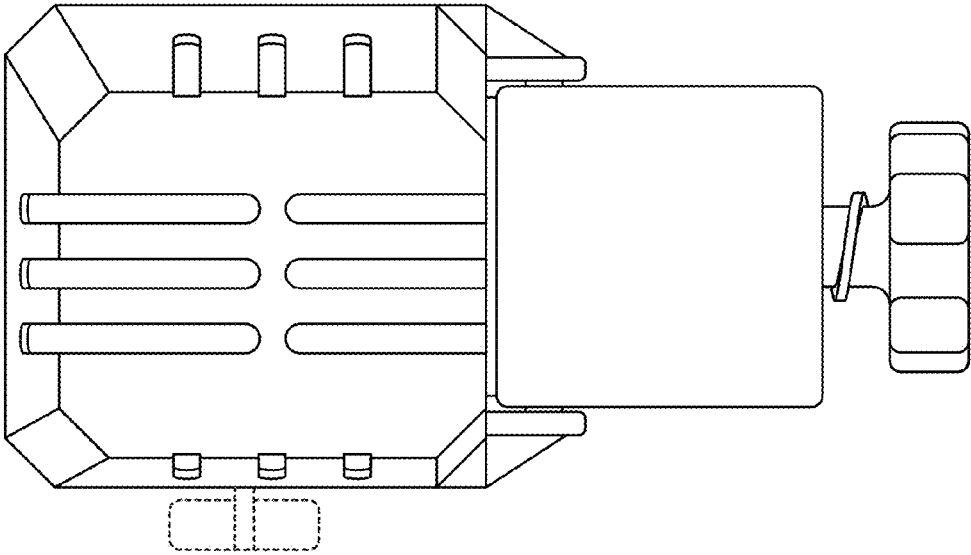


FIG. 3

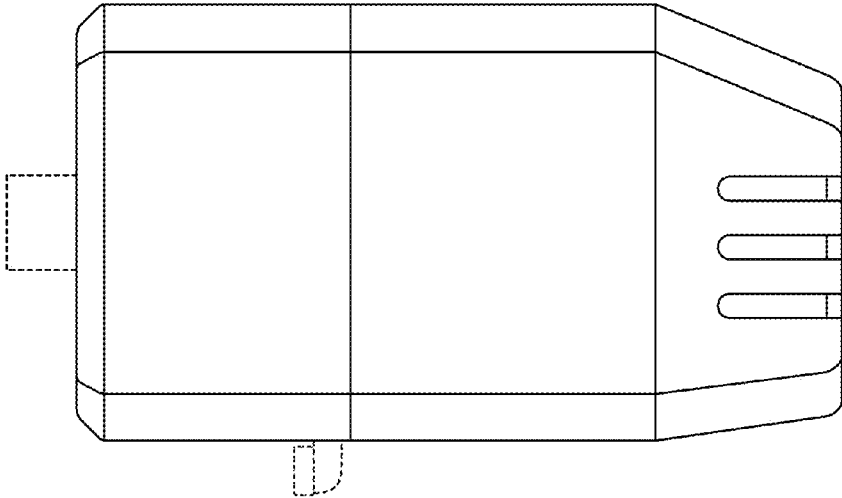


FIG. 5

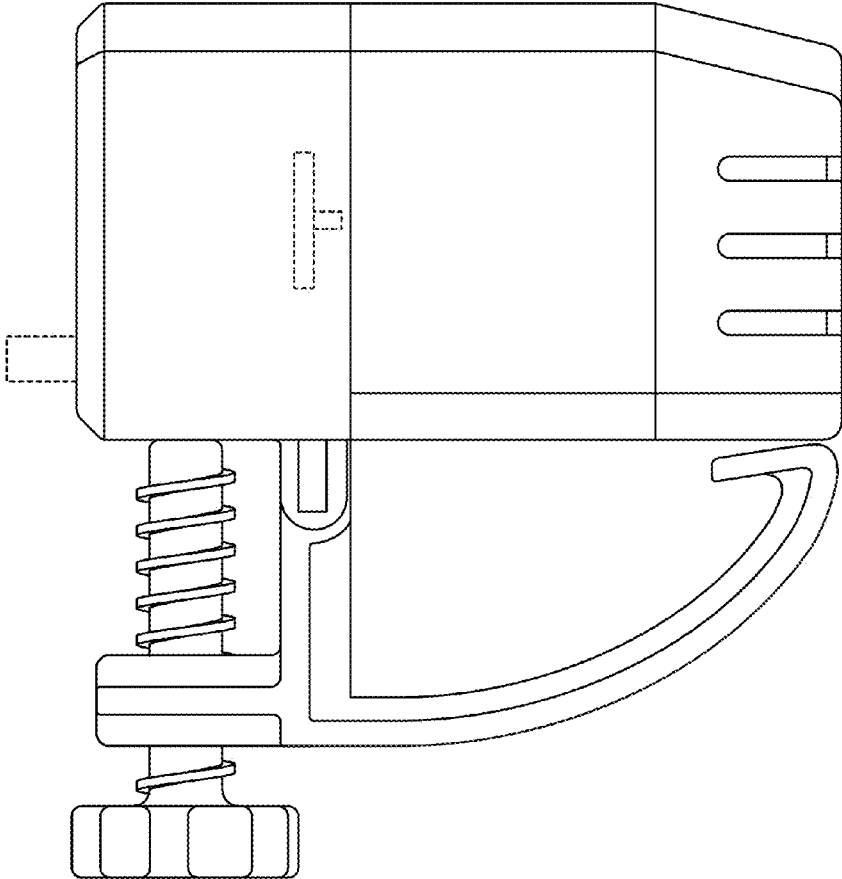


FIG. 4

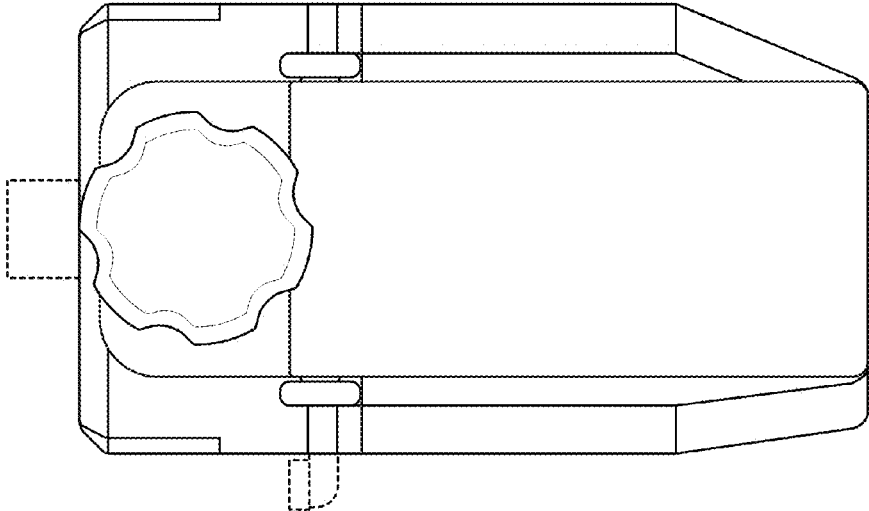


FIG. 7

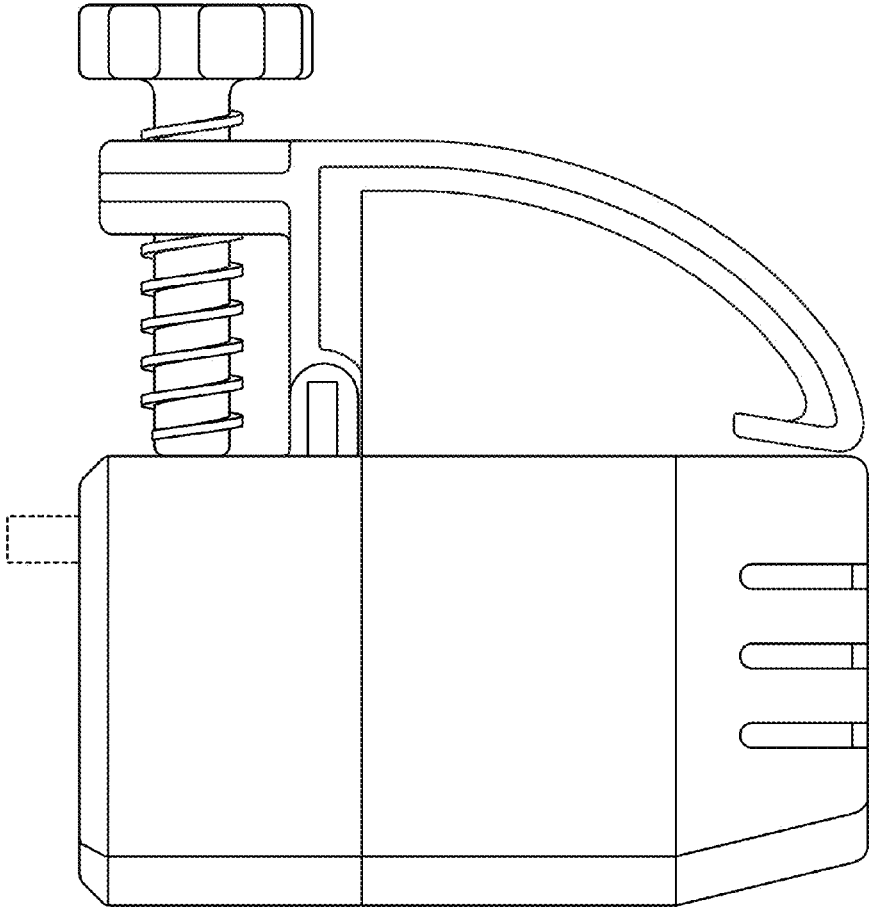


FIG. 6